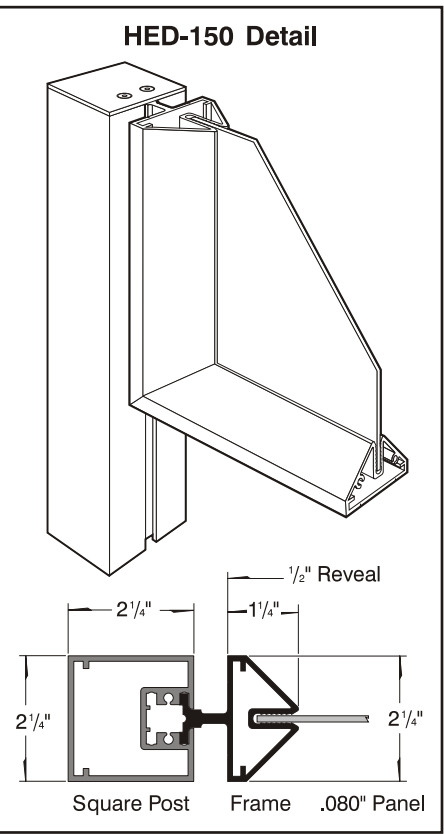


TYP
Dwg. No.:
XXXX-XX

HED-150

Double Post, Double Face, Duranodic Bronze Finish

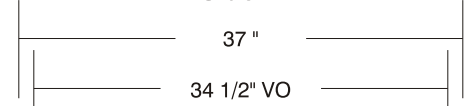
Drawing Notes
*All sign components of
extruded aluminum and
having a duranodic bronze
finish unless otherwise specified



Top View



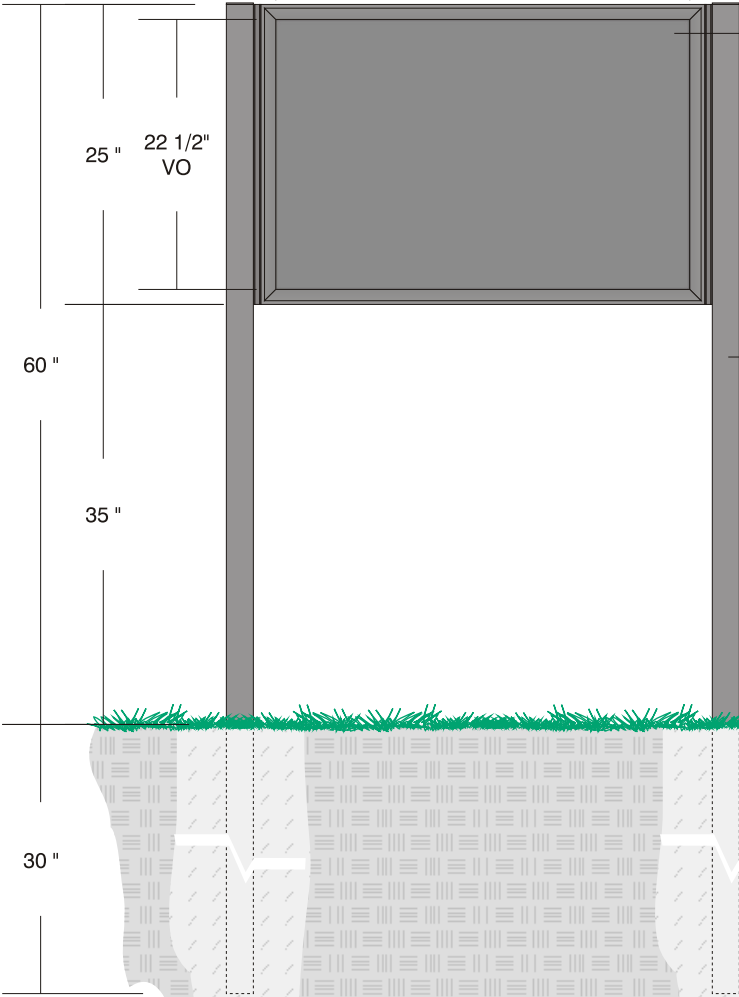
Side A



Side View



Side B



HED-150 sign system with frame and (1) 24" x 36" x .080" panel

(2) 2 1/4" x 2 1/4" x 90" mounting posts

Foundation by others



Client: XXXX
System: HED-150
Date: 11-18-04
Scale: 3/4" = 1'-0"

✂ XX
Drawing format is
faxed to fit legal
size paper,
8-1/2" x 14"

This drawing was specifically created for: **XXXX**
Sales Representative: **XXXX**
6400 Howard Drive, Fairview, PA 16415 • Toll Free 800/458-0591 • PA 814/833-7000 • Fax 814/838-0011

