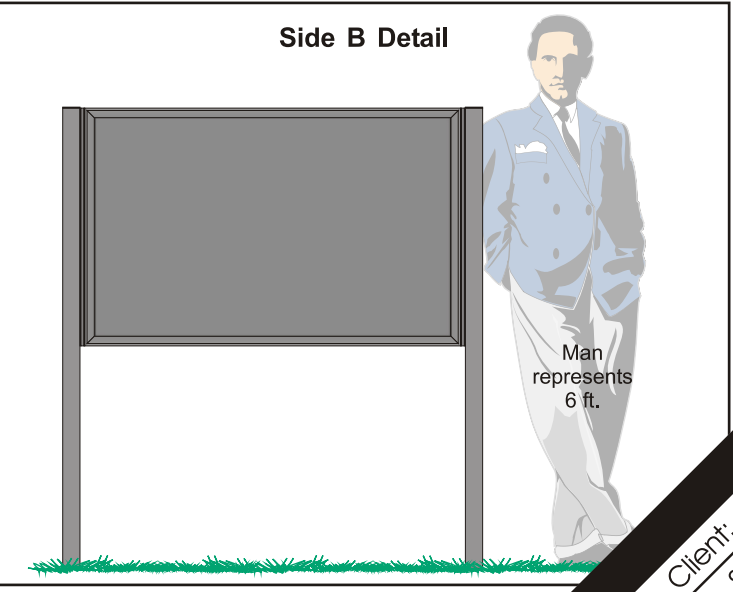
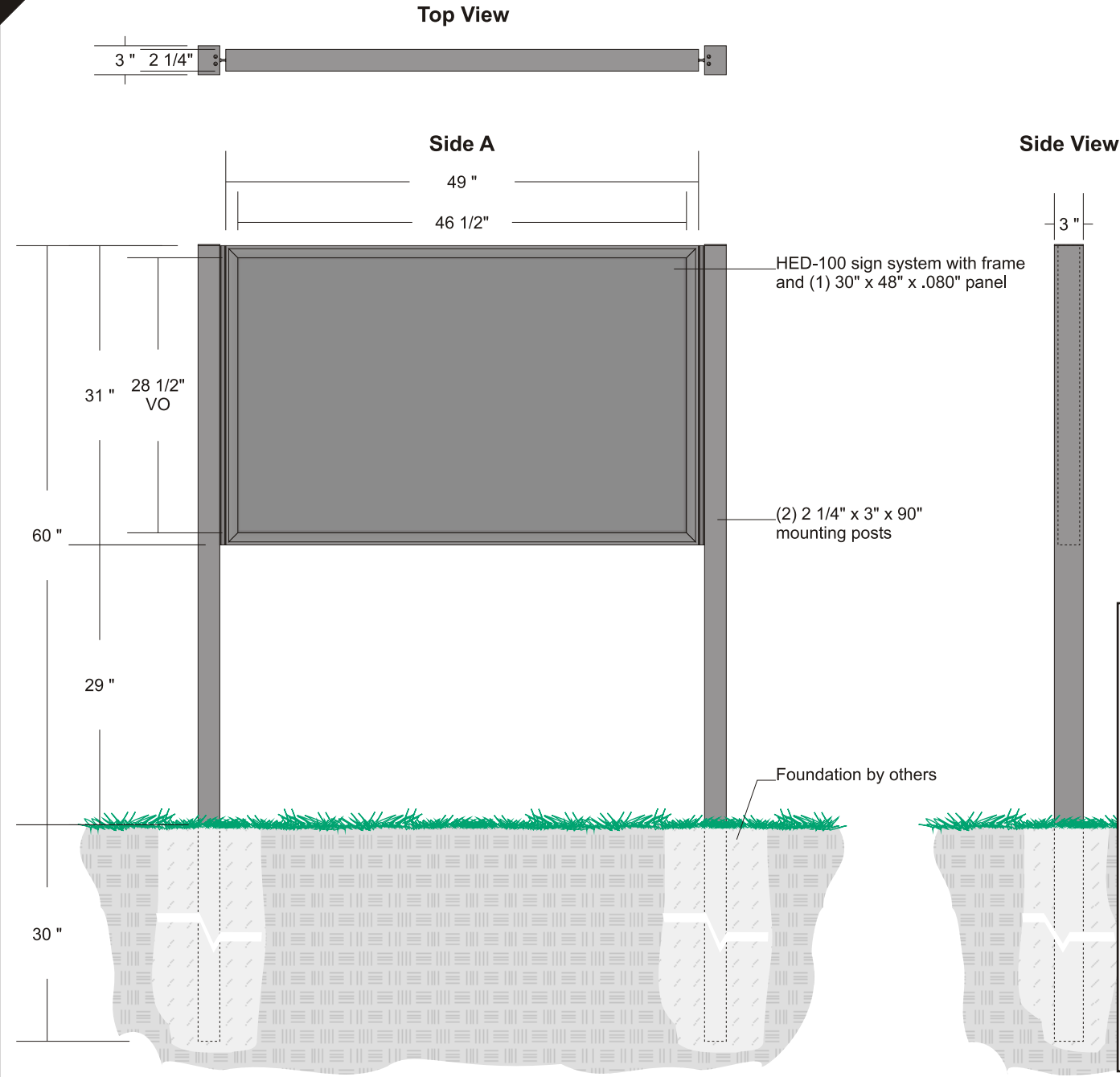
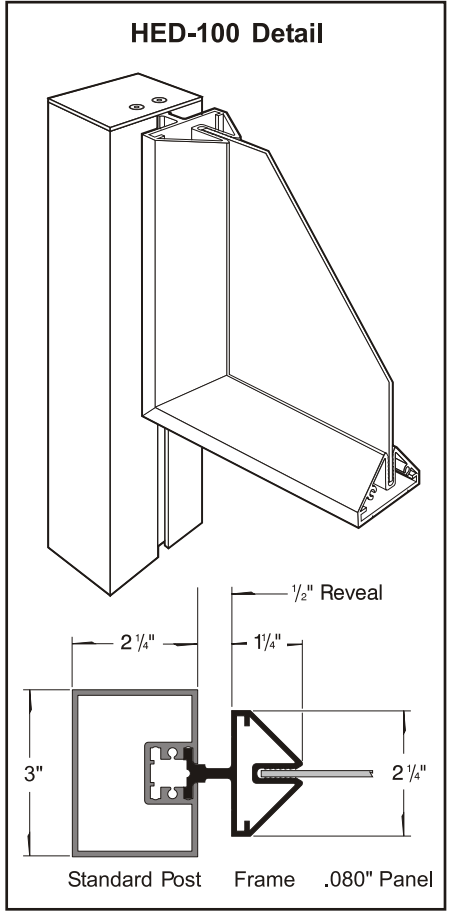


TYP
 Dwg. No.:
 XXXX-XX

HED-100

Double Post, Double Face, Duranodic Bronze Finish

Drawing Notes
 *All sign components of
 extruded aluminum and
 having a duranodic bronze
 finish unless otherwise specified



Client: XXXX
 System: HED-100
 Date: 11-18-04
 Scale: 3/4" = 1'-0"

✂ XX
 Drawing format is
 faxed to fit legal
 size paper,
 8-1/2" x 14"

This drawing was specifically created for: XXXX
 Sales Representative: XXXX
 6400 Howard Drive, Fairview, PA 16415 • Toll Free 800/458-0591 • PA 814/833-7000 • Fax 814/838-0011

