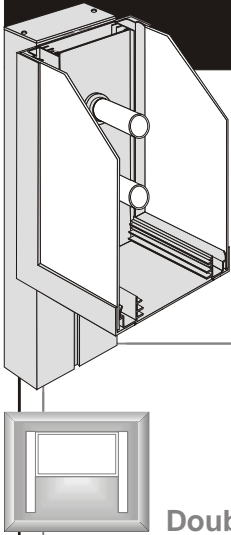


Assembly and Installation Instructions

Carefully select the location of your sign to be sure that it will be readily visible to those for which it is intended. Before installing any sign, be sure that the installation does not obstruct traffic or hamper local utilities, landscape, maintenance, snow-plowing, etc...



Double Post Mount

Step 1

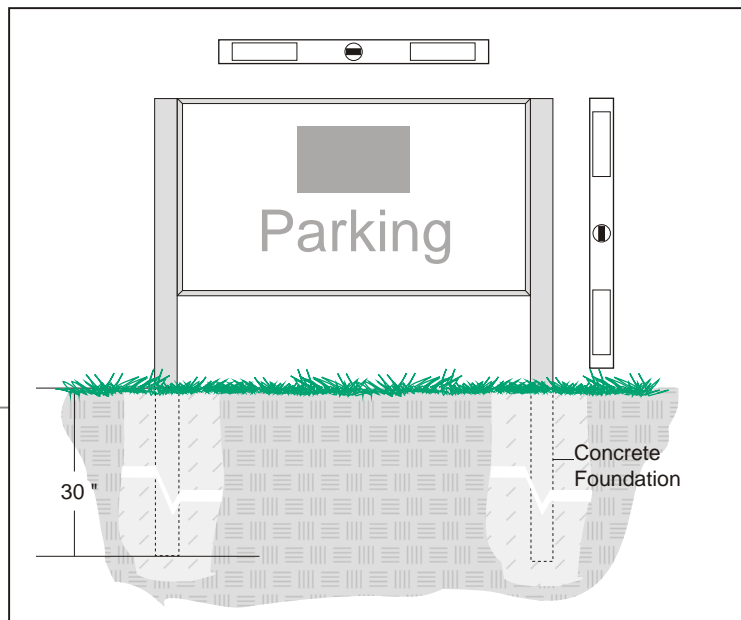
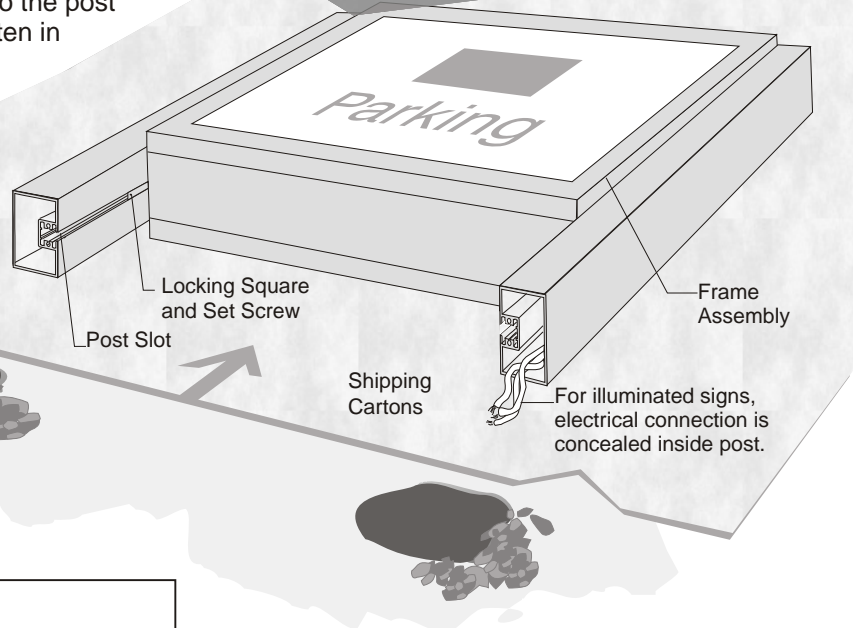
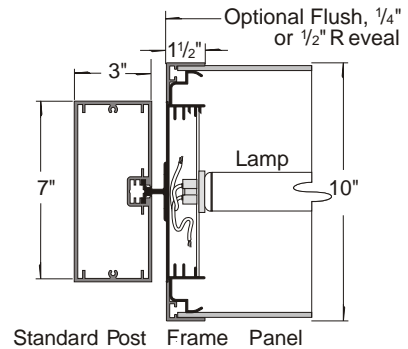
Carefully unpack the posts and frame assembly from the shipping cartons. Laying the posts on the ground (use shipping cartons underneath to avoid damage), slide the frame assembly into the post slots from the bottom until the frame is flush to the post caps, which are attached prior to shipping. Slide the locking squares into the post slots flush to the bottom of the frame and tighten in position using an allen wrench.

Step 2

Laying the assembled sign on the ground as a guide, dig two 12" diameter x 30" deep holes; if the sign panel is 36" or higher, dig the holes 36" deep. Insert the sign posts into the holes and fill each hole with concrete. Level the sign both horizontally and vertically.

Note:
Assembly is the same when optional post styles are used.

Assembly Detail



IMPORTANT:

- ▮ If illuminated, make electrical connections as required per local codes.
- ▮ Remove shipping screws from frame.
- ▮ Remove tape and packing material from lamps.