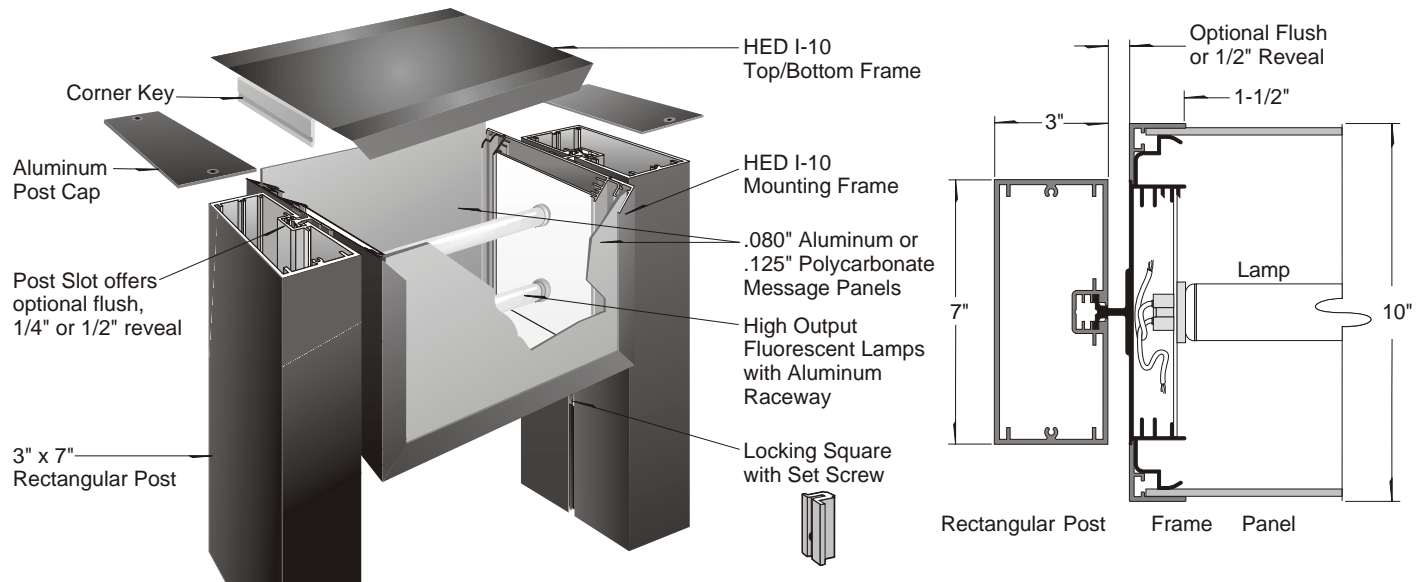


# HED I-10



technical information