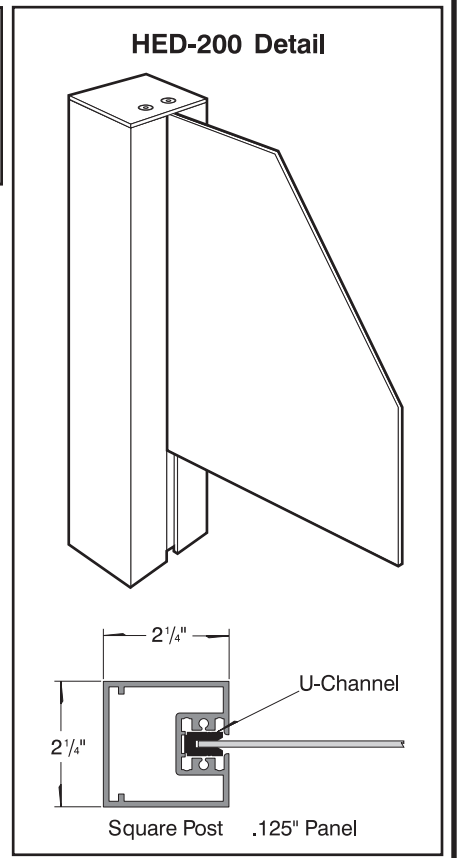


TYP
Dwg. No.:
XXXX-XX

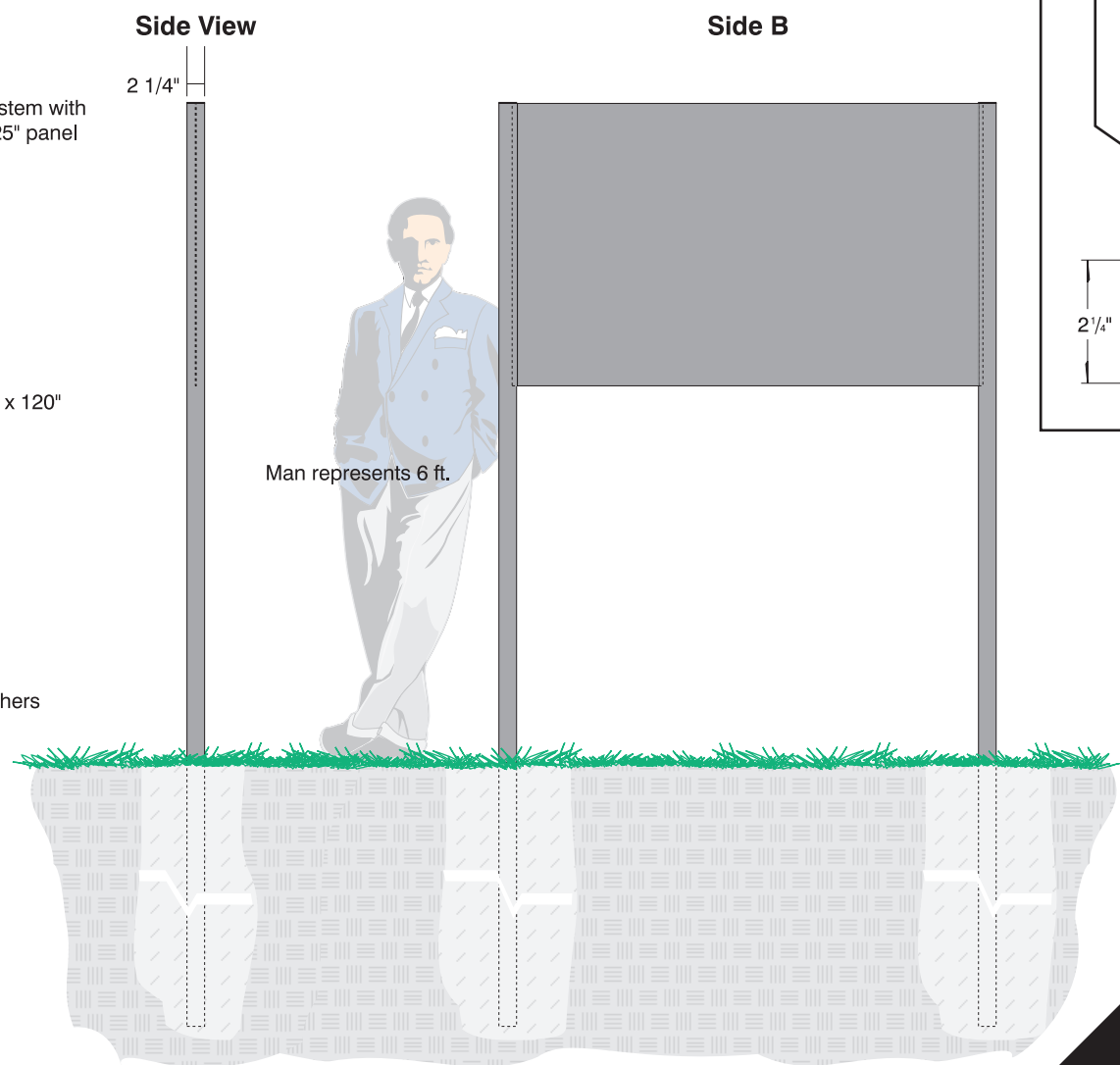
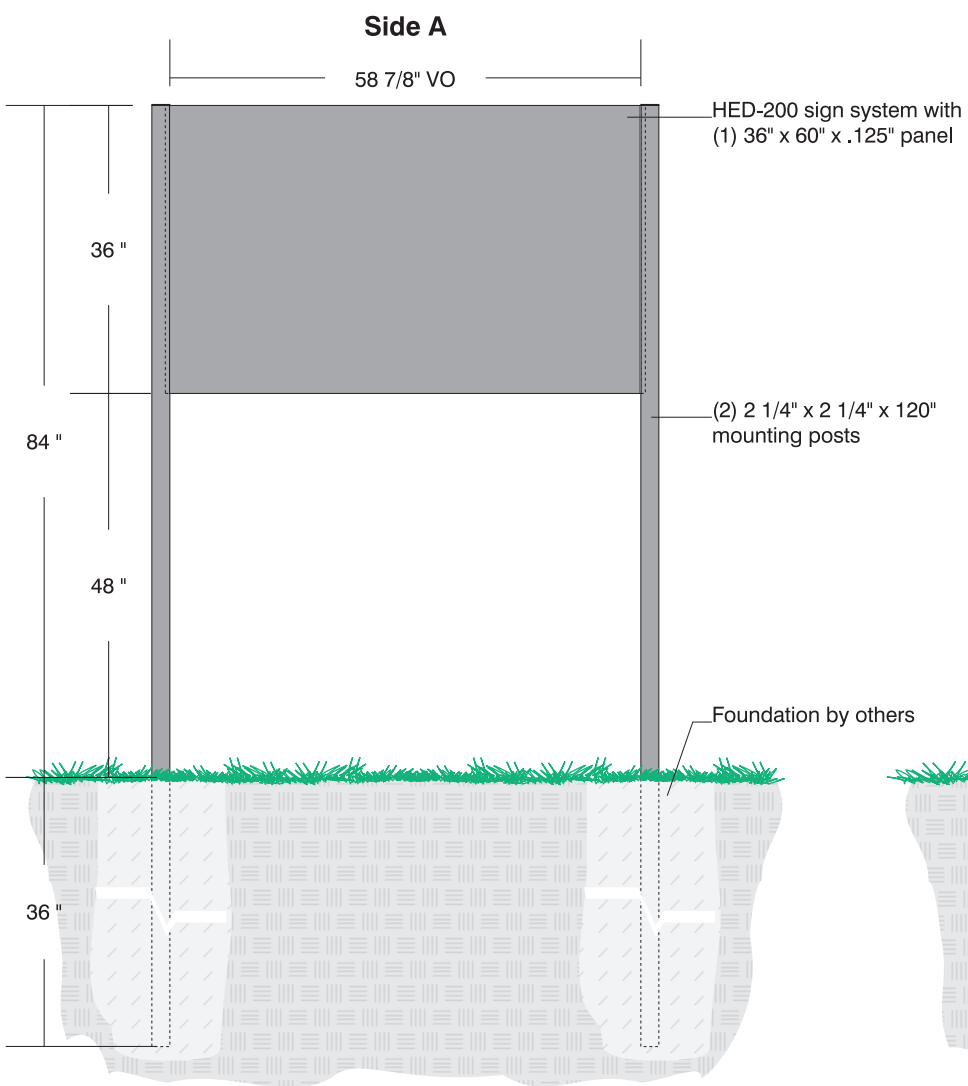
HED-200

Double Post, Double Face, Duranodic Bronze Finish

Drawing Notes
*All sign components of extruded aluminum and having a duranodic bronze finish unless otherwise specified



✂ **XX**
Drawing format is
faxed to fit legal
size paper,
8-1/2" x 14"



Side B

XXXX
Client: XXXX
System: HED-200
Date: 11-18-04
Scale: 1/2" = 1'-0"

This drawing was specifically created for: **XXXX**
Sales Representative: **XXXX**
6400 Howard Drive, Fairview, PA 16415 • Toll Free 800/458-0591 • PA 814/833-7000 • Fax 814/838-0011

