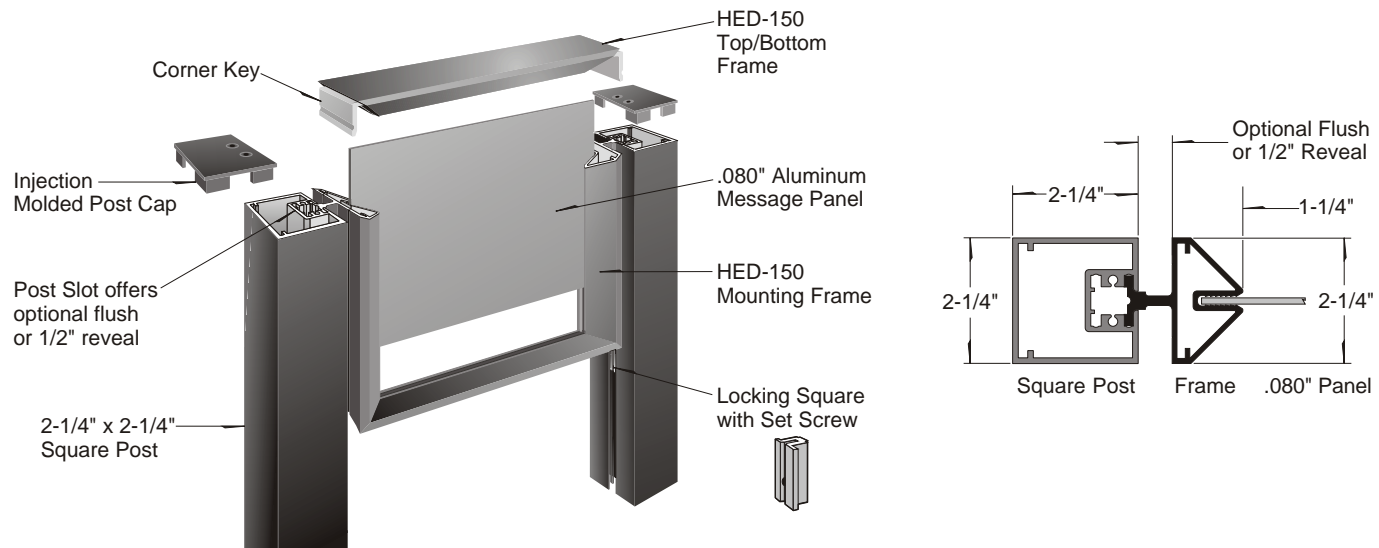


# HED-150



technical information