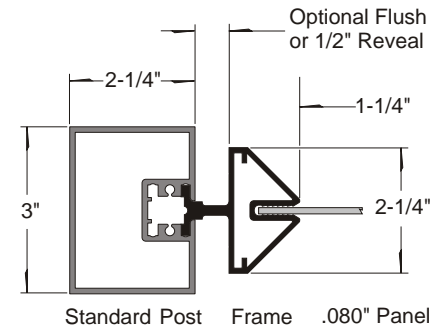
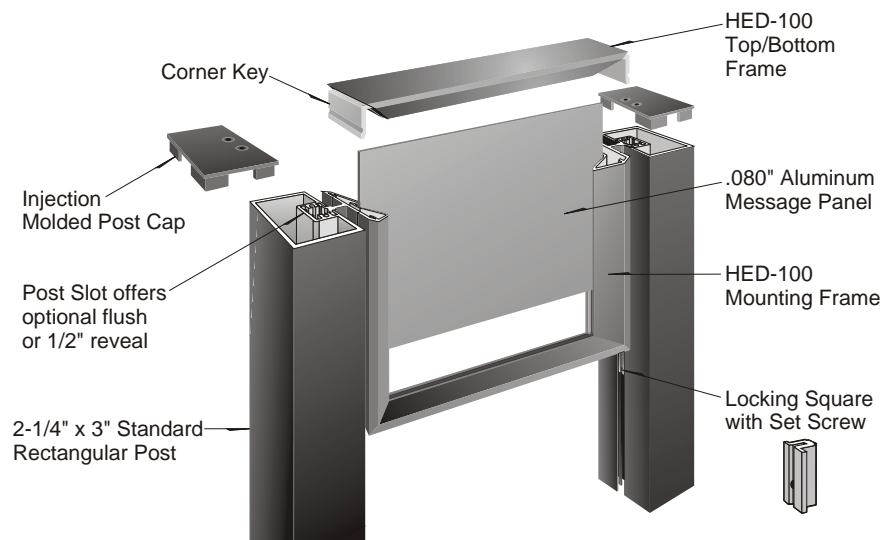


HED-100



technical information