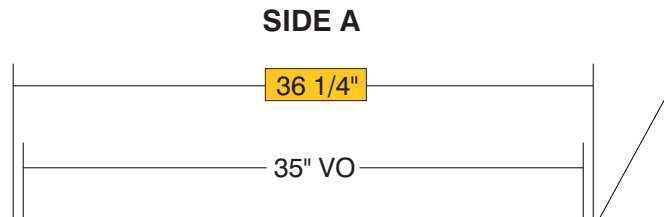


TOP VIEW



SIDE A

• **Sign System: HED-400 Standard Face**

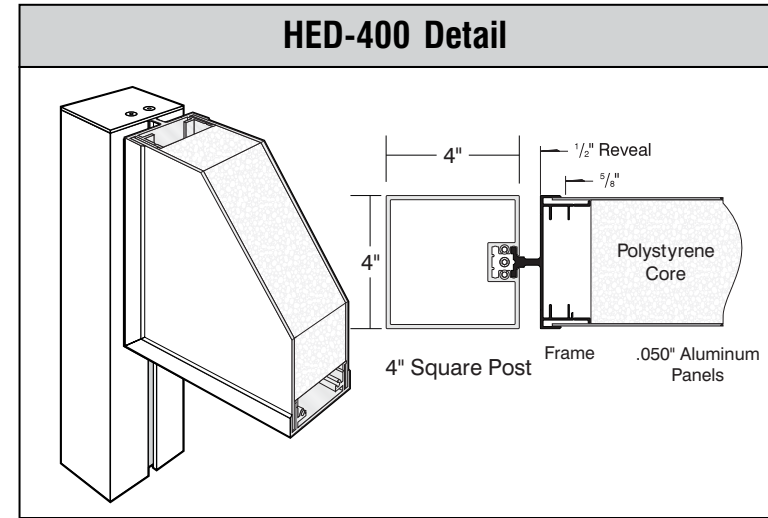
- (2) .050" Aluminum Panel: (H) 18" x (L) 36"

• **Paint:**

- Standard White - Frame, Panels, Posts, Caps

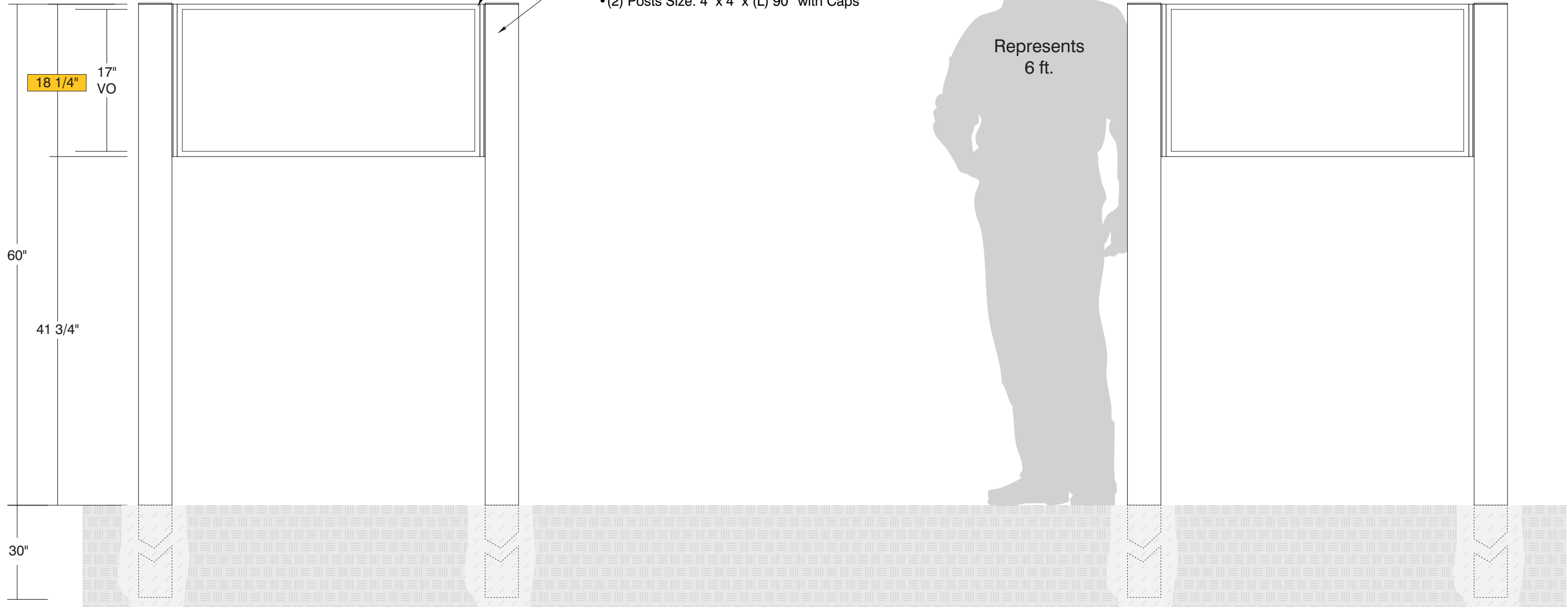
• **Double Post Mount**

- (2) Posts Size: 4" x 4" x (L) 90" with Caps



HED-400 Detail

SIDE B



Represents  
6 ft.

Date	DWG# HED-400_STANDARD	Scale: 1"=1'	Customer	Mounting	DOUBLE POST MOUNT		Quote #	
XX.XX.XX				SF/DF	DOUBLE FACE		Sales Rep.	
Quantity			Location	Illuminated	NO	UL	Illustrator:	
1				Voltage	N/A	Amp N/A	Reviewed By:	
Page			System	ADA	No	Rev. 0		
1 of 1			HED-400 (18" X 36") Standard Face Sign System	*Due to the ADA/ANSI's wide interpretation and other factors that may exist, we cannot affirm compliance in all situations and is hereby removed from responsibility regarding these issues.				



• 6400 Howard Drive, Fairview PA 16415 • Toll Free 800.458.0591 •  
 • PA 814.833.7000 • Fax 814.838.0011 •  
 www.howardindustries.com

All concepts and designs represented by this drawing are the property of Howard Industries and may not be reproduced or used in any manner without written consent. ©Copyright 2020 Howard Industries.