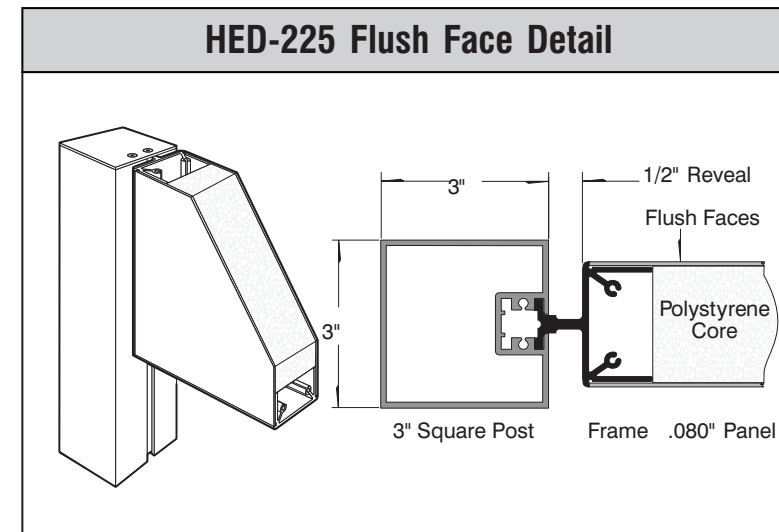


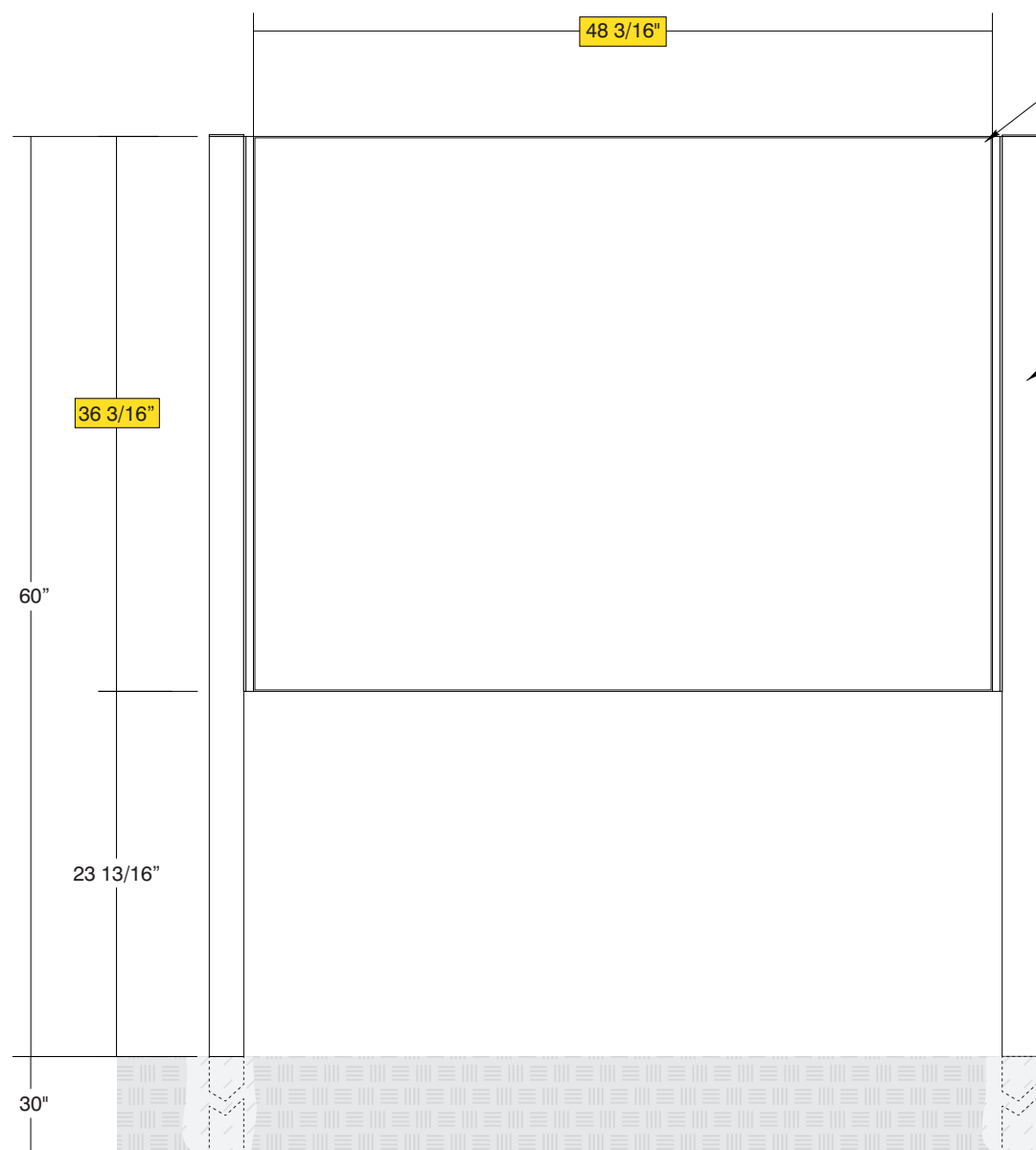


TOP VIEW



SIDE B

SIDE A



• **Sign System: HED-225 Standard**

- (2) .080" Aluminum Panel: (H) 36" x (L) 48"


• **Paint:**

- Standard White - Panel, Frame, Posts, Caps

• **Double Post Mount**

- Posts Size: 2 1/4" x 2 1/4" x (L) 90" with Caps

Represent
6 ft.

| | | | | | | |
|----------|-----------------------|--------------|--|--|-------------------------------|--------------|
| Date | DWG# HED-225_Standard | Scale: 1"=1' | Customer | Mounting SF/DF | Double Post Mount Double Face | Quote # |
| XX.XX.XX | | | Location | Illuminated | NO UL | Sales Rep. |
| Quantity | | | System | Voltage | N/A Amp N/A | Illustrator: |
| 1 | | | HED-225 (36" x 48") Standard Sign System | ADA | No Rev. 0 | Reviewed By: |
| Page | | | | *Due to the ADA/ ANSI's wide interpretation and other factors that may exist, we cannot affirm compliance in all situations and is hereby removed from responsibility regarding these issues. | | |
| 1 of 1 | | | |  <p>6400 Howard Drive, Fairview PA 16415 • Toll Free 800.458.0591 • PA 814.833.7000 • Fax 814.838.0011 • www.howardindustries.com</p> <p>All concepts and designs represented by this drawing are the property of Howard Industries and may not be reproduced or used in any manner without written consent. ©Copyright 2020 Howard Industries.</p> | | |