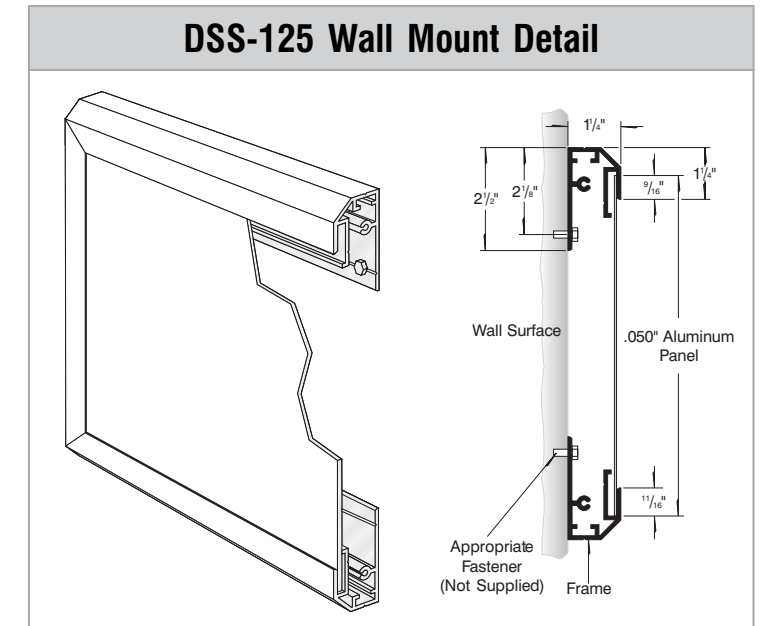
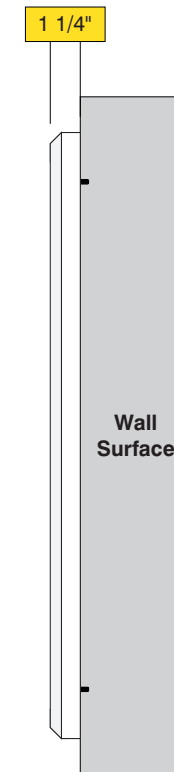


- **Sign System: DSS-125 Wall Mount**
 - (1) .050" Aluminum Panel: (H) 24" x (L) 48"
- **Paint:**
 - Standard White - Frame, Panel
- **Mounting Information**
 - Wall Mounted

SIDE VIEW



Date	DWG#	DSS-125_Standard	Scale:	1 1/2"=1'	Customer		Mounting	Wall Mounted	Quote #	
2.14.23							SF/DF	Single Face	Sales Rep.	
Quantity					Location		Illuminated	NO	UL	
1							Voltage	N/A	Amp	N/A
Page					System	DSS-125 (24" x 48")	ADA	No	Rev. 0	
1 of 1						Standard Sign System	*Due to the ADA/ANSI's wide interpretation and other factors that may exist, we cannot affirm compliance in all situations and is hereby removed from responsibility regarding these issues.			Reviewed By:



• 6400 Howard Drive, Fairview PA 16415 • Toll Free 800.458.0591 •
 • PA 814.833.7000 • Fax 814.838.0011 •
 www.howardindustries.com

All concepts and designs represented by this drawing are the property of Howard Industries and may not be reproduced or used in any manner without written consent. ©Copyright 2020 Howard Industries.