

• **Sign System: SLIMPRO1 Indented Radius**

- Arc Length: 12.56"
- Miters: 44.7°
- Radius: 4"
- (2) .063" Aluminum Panels: (H) 36" x (L) 36"

• **Paint:**

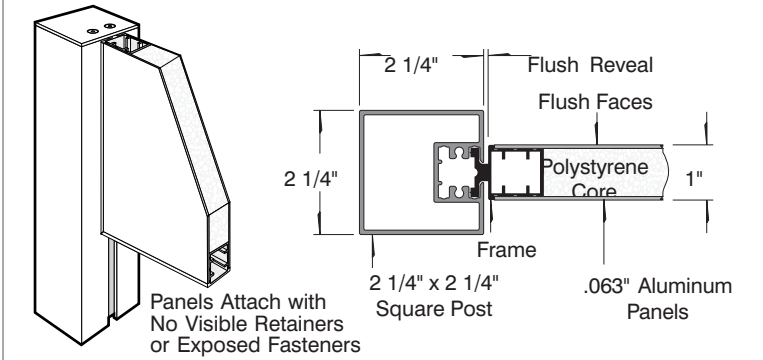
- Standard White - Panels, Frame, Posts, Caps

• **Double Post Mount**

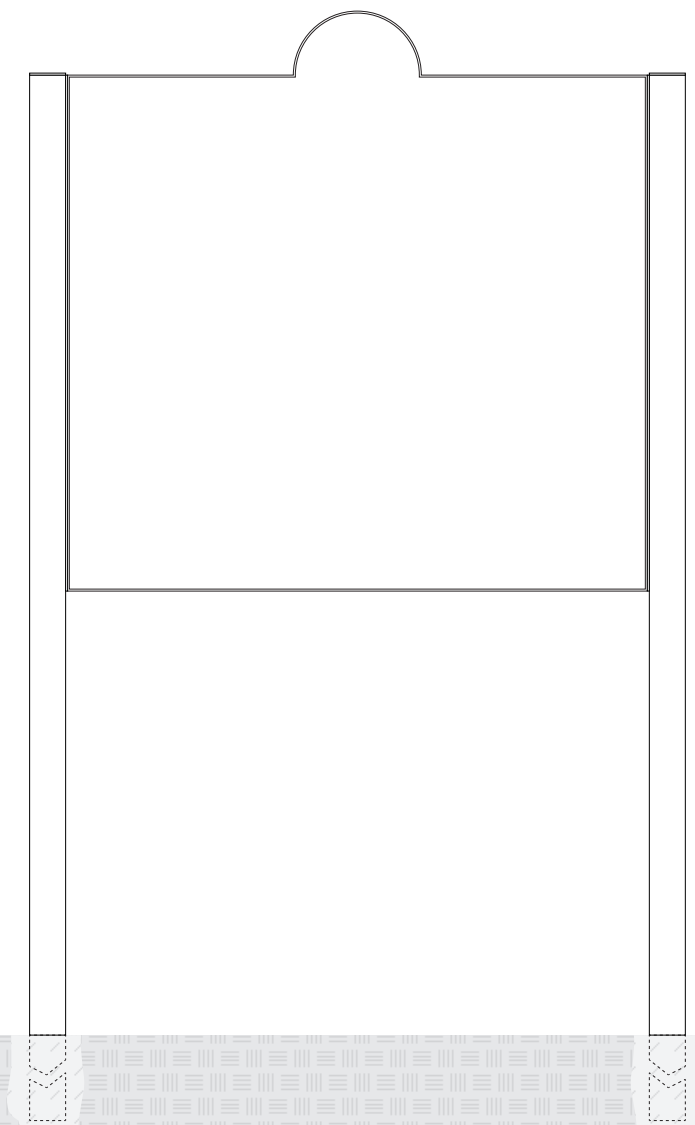
- (2) Posts Size: 2 1/4" x 2 1/4" x (L) 90" with Caps



**SLMPRO1 Flush Face Detail**



**SIDE B**



Date	DWG# SLIMPRO1_IndentedRadius	Scale: 1"=1'	Customer	Mounting SF/DF	Double Post Mount Double Face		Quote #
XX.XX.XX			Location	Illuminated	NO	UL	Sales Rep.
Quantity			System	Voltage	N/A	Amp N/A	Illustrator:
1			SLIMPRO1 (36" x 36") Indented Radius Sign System	ADA	No	Rev. 0	Reviewed By:
Page 1 of 1				*Due to the ADA/ ANSI's wide interpretation and other factors that may exist, we cannot affirm compliance in all situations and is hereby removed from responsibility regarding these issues.			



• 6400 Howard Drive, Fairview PA 16415 • Toll Free 800.458.0591 • PA 814.833.7000 • Fax 814.838.0011 • www.howardindustries.com

All concepts and designs represented by this drawing are the property of Howard Industries and may not be reproduced or used in any manner without written consent. ©Copyright 2020 Howard Industries.