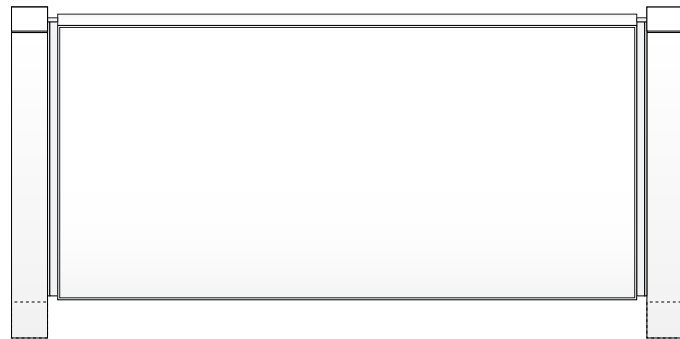
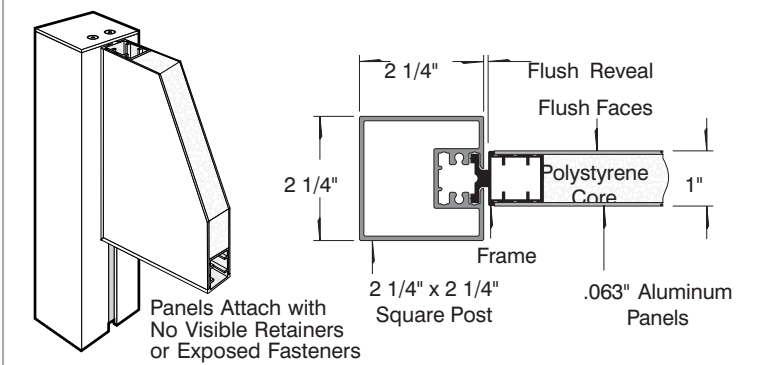


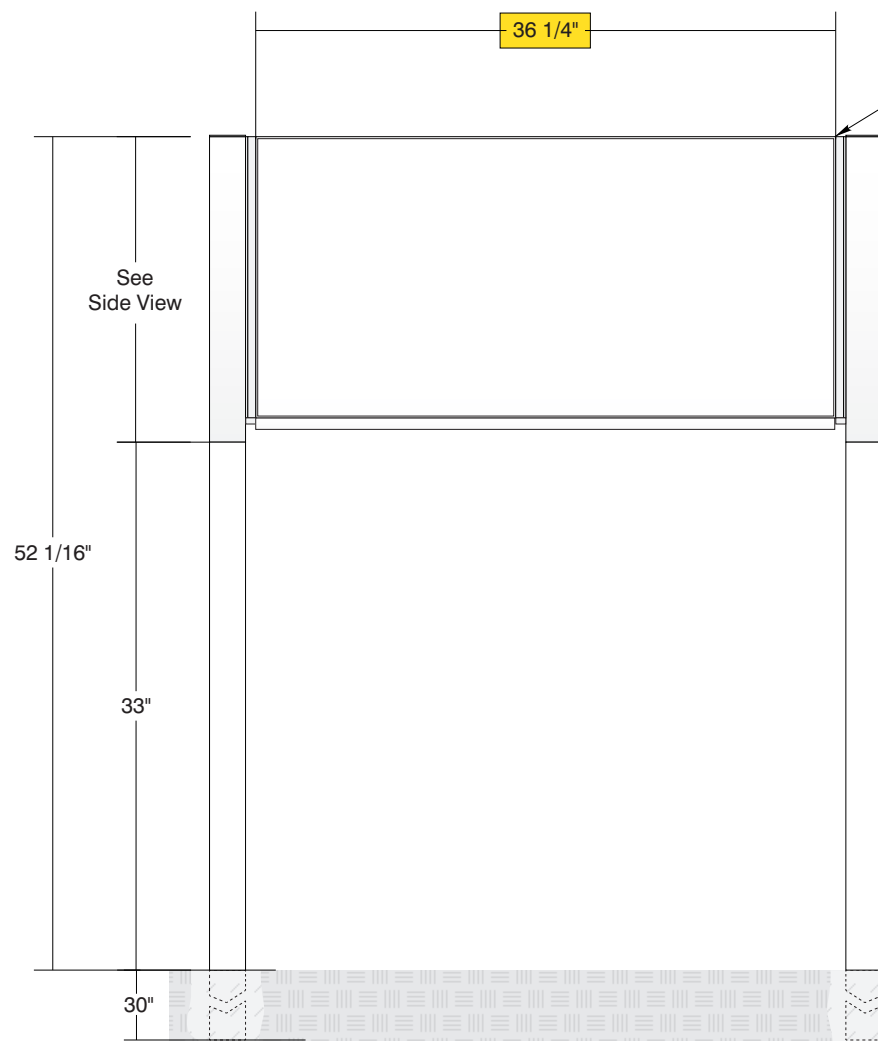
TOP VIEW



SLMPRO1 Flush Face Detail



FRONT VIEW



**Sign System: SLIMPRO1 Bent Back**

- (2) .063" Aluminum Panels: (H) 24" x (L) 36"

**Paint:**

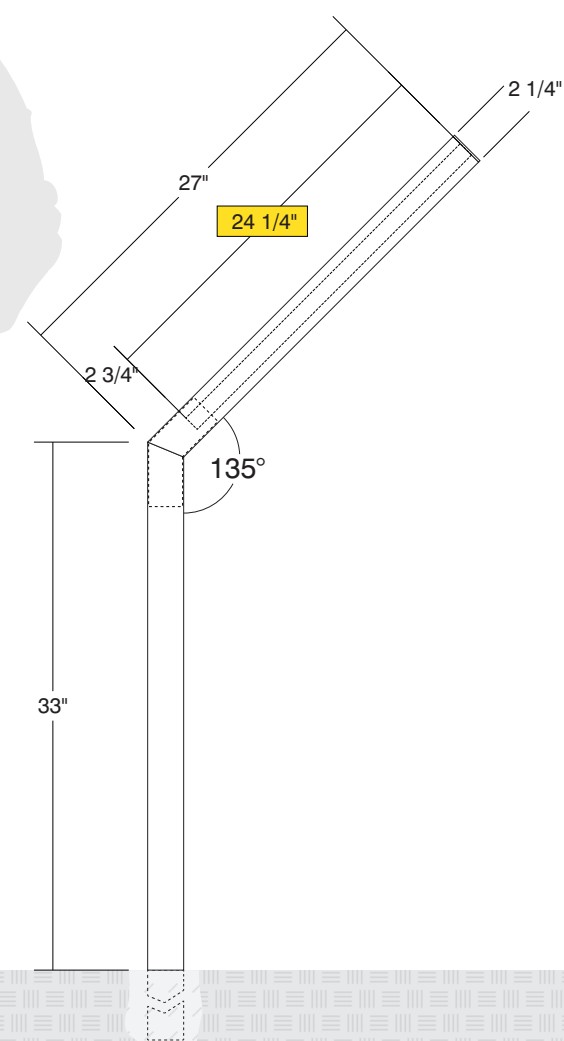
- Standard White - Panels, Frame, Posts, Caps


**Double Post Mount**

- (2) Total Posts Size: 2 1/4" x 2 1/4" x (L) 90" with Caps
  - Top Posts Size: 2 1/4" x 2 1/4" x (L) 27"
  - Bottom Posts Size: 2 1/4" x 2 1/4" x (L) 63"
- (4) 3/16" Aluminum Internal Gussets

Represents  
6 ft.

SIDE VIEW



Date	DWG#	SLIMPRO1_BentBack	Scale:	1"=1'	Customer	Mounting	Double Bent Back Post Mount		Quote #		 <p>• 6400 Howard Drive, Fairview PA 16415 • Toll Free 800.458.0591 • • PA 814.833.7000 • Fax 814.838.0011 • www.howardindustries.com</p> <p>All concepts and designs represented by this drawing are the property of Howard Industries and may not be reproduced or used in any manner without written consent. ©Copyright 2020 Howard Industries.</p>
XX.XX.XX					Location	Illuminated	NO	UL	Sales Rep.		
Quantity						Voltage	N/A	Amp	Illustrator:		
Page					System	ADA	No	Rev. 0	Reviewed By:		
1 of 1					SLIMPRO1 (36" x 48") Standard Sign System	<p><small>*Due to the ADA/ ANSI's wide interpretation and other factors that may exist, we cannot affirm compliance in all situations and is hereby removed from responsibility regarding these issues.</small></p>					