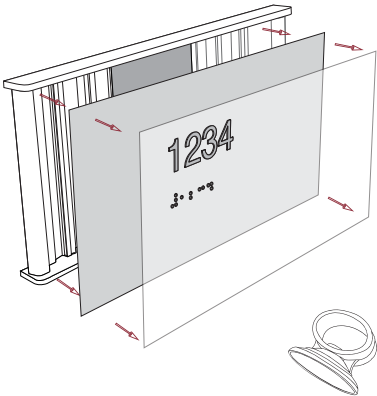


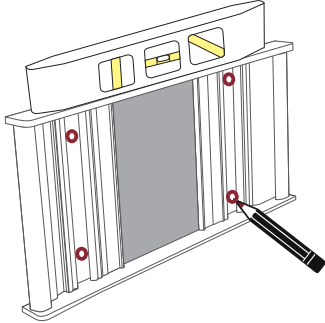
HID Wall Mount INSTALLATION INSTRUCTIONS

1



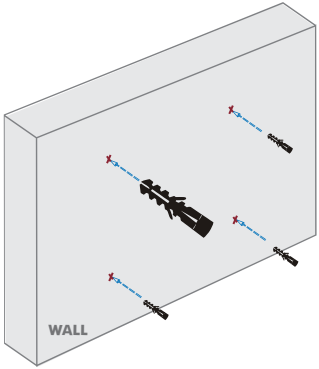
Using provided suction cup, gently remove the non-glare lens, paper insert (if present), and black support panel.

2



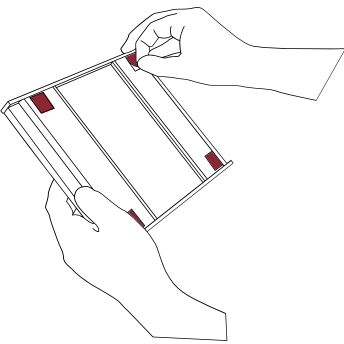
Use a level to place the system to its intended location and mark the mounting hole locations. Refer to ADA requirements if applicable.

3



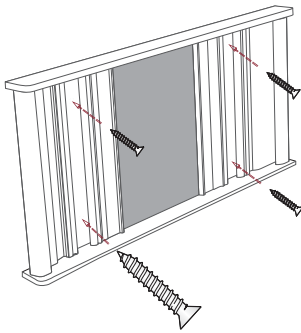
Using the marks from step 2, drill and install appropriate screw anchors for the application. (not included)

4



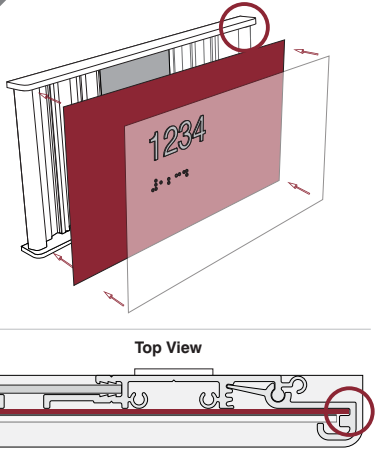
Remove red liner from the double-sided adhesive squares. These are used to temporarily fasten system to wall for hardware insertion.

5



Align mounting holes to the wall anchors and permanently secure system to wall using appropriate hardware. (not included)

6



Reinsert black support panel, ensuring that it sits in the furthest position slot. Then reinsert paper insert (if present) and non-glare lens. Ensure non-glare side faces out.

For more product information, installation tips, and quality signage merchandise, go to