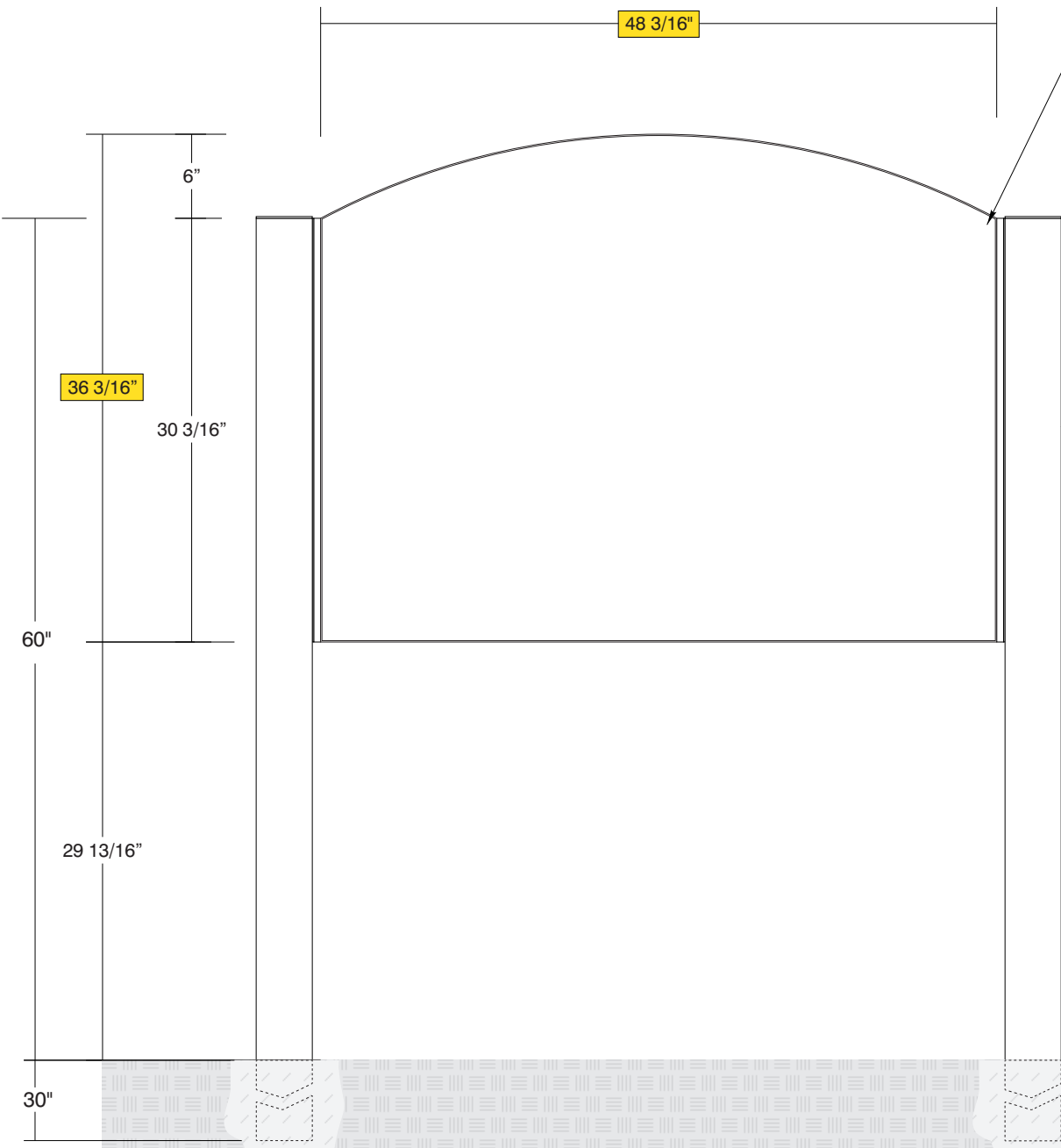


TOP VIEW



SIDE A



• **Sign System: HED-400 Flush Face Radius**

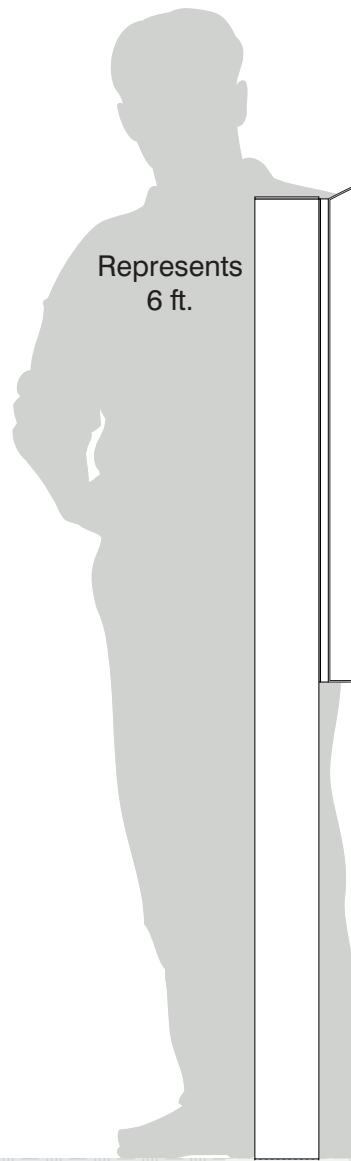
- Mitters: 31.21°
- Radius: 51.36"
- Arc Length: 50.15"
- (2) .080" Aluminum Panel: (H) 36" x (L) 48"

• **Paint:**

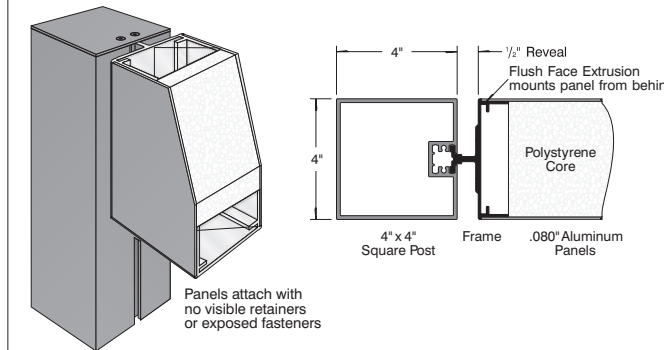
- Standard White - Frame, Panels, Posts, Caps

• **Double Post Mount**

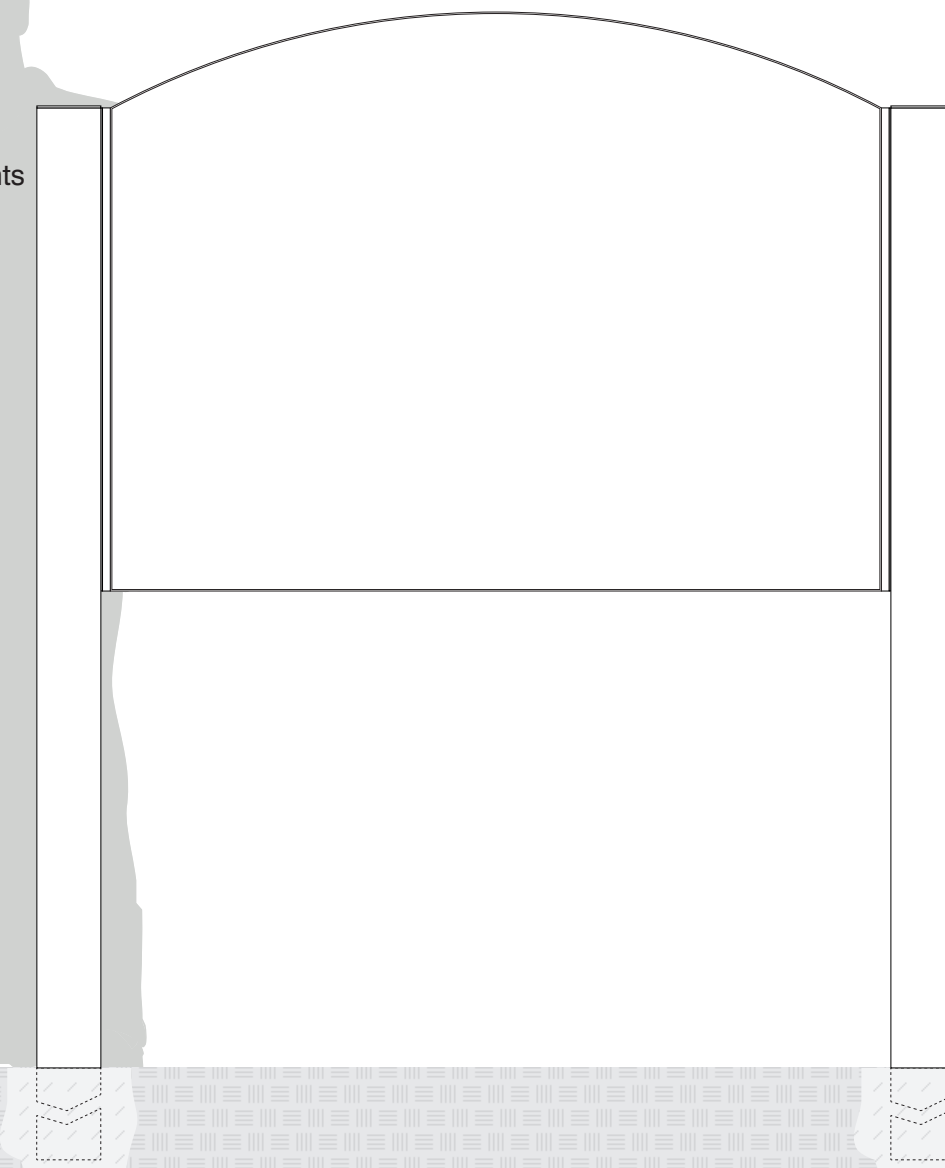
- (2) Posts Size: 4" x 4" x (L) 90" with Caps




HED-400 FLUSH FACE DETAIL



SIDE B



Date	DWG# HED-400_FF_Radius	Scale: 1"=1'	Customer	Mounting SF/DF	Double Post Mount Double Face	Quote #
XX.XX.XX			Location	Illuminated	NO UL	Sales Rep.
Quantity			System	Voltage	N/A Amp N/A	Illustrator:
1			HED-400 (36" x 48") Flush Face Radius Sign System	ADA	No Rev. 0	Reviewed By:
Page				*Due to the ADA/ANSI's wide interpretation and other factors that may exist, we cannot affirm compliance in all situations and is hereby removed from responsibility regarding these issues.		
1 of 1				 <p>6400 Howard Drive, Fairview PA 16415 • Toll Free 800.458.0591 • PA 814.833.7000 • Fax 814.838.0011 • www.howardindustries.com</p> <p>All concepts and designs represented by this drawing are the property of Howard Industries and may not be reproduced or used in any manner without written consent. ©Copyright 2020 Howard Industries.</p>		