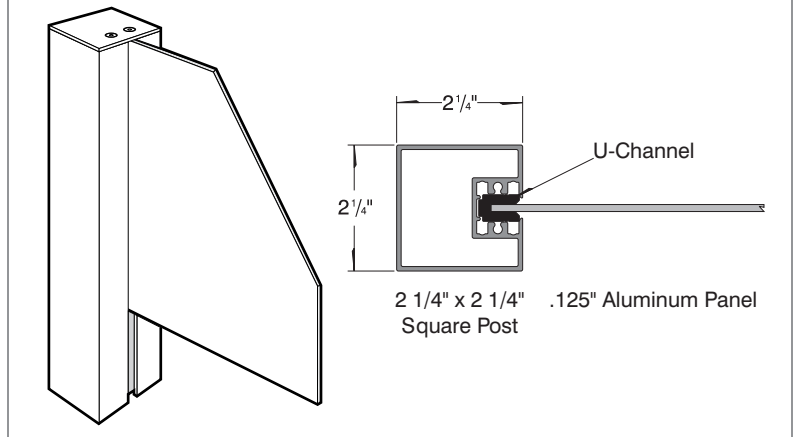


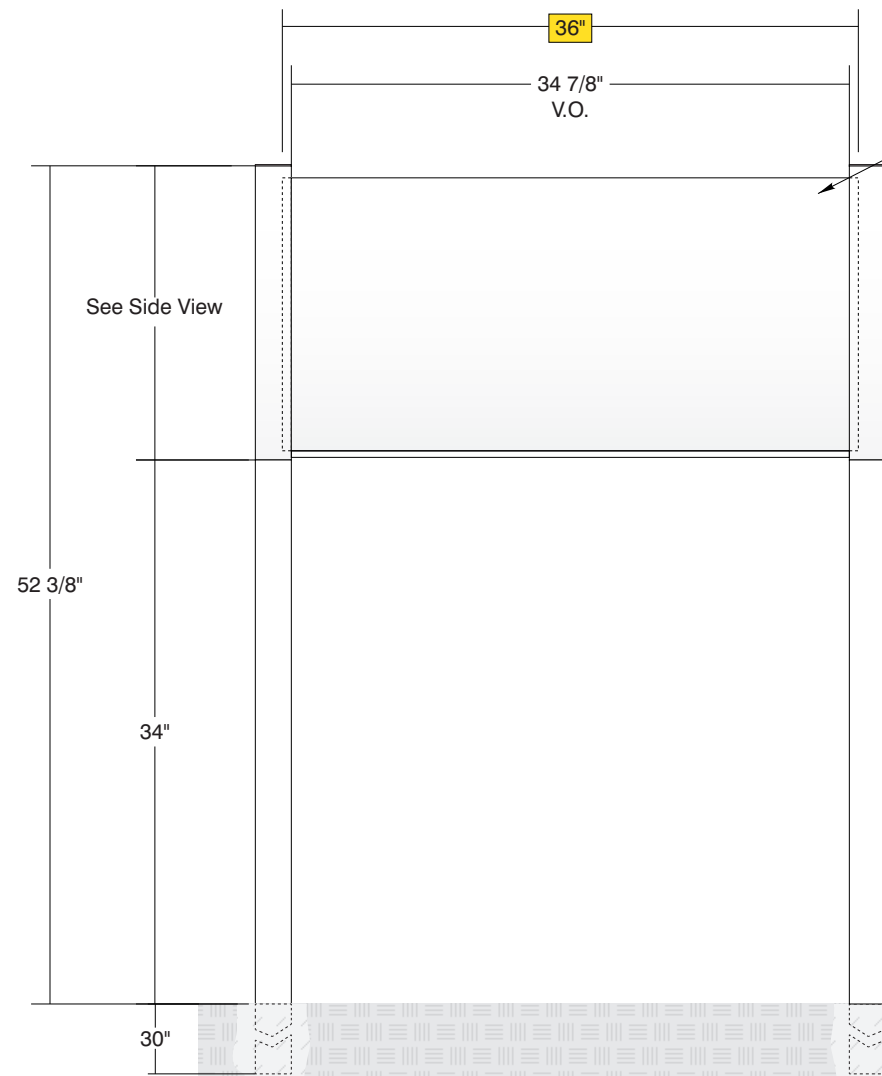
TOP VIEW



HED-200 Detail



SIDE A



• Sign System: HED-200 Bent Back

- (1) .125 Aluminum Panel: (H) 24 1/2" x (L) 36"
- (1) 1/2" Support Bottom Bend
- (2) U-Channel Lengths @ 25 1/2"

• Paint:

- Standard White - Panel, Posts, Caps

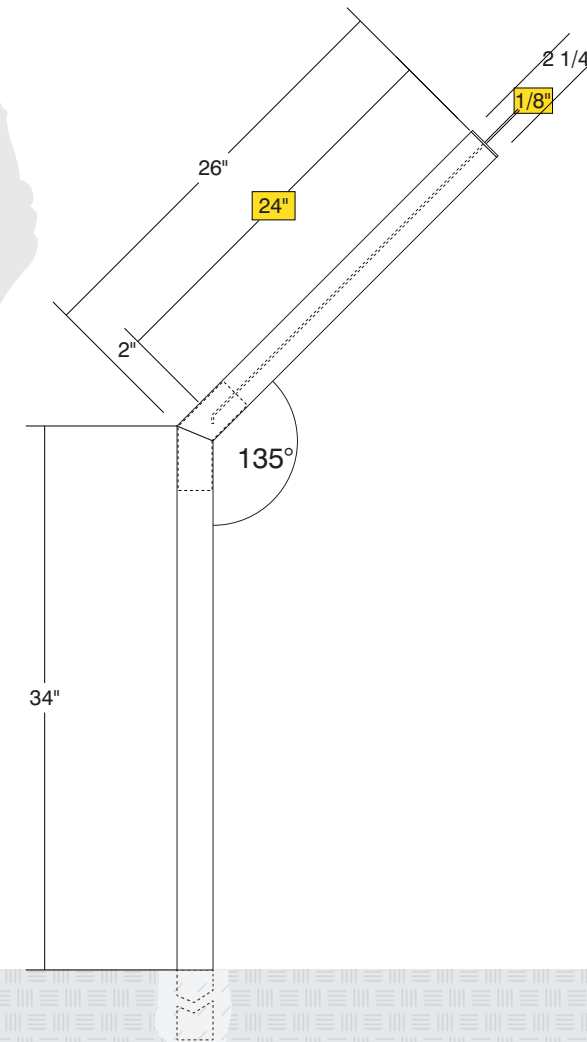
• Double Bent Back Post Mount

- (2) Total Post Size: 2 1/4" x 2 1/4" x (L) 90" with Caps
- Top Post Size: 2 1/4" x 2 1/4" x (L) 26"
- Bottom Post Size: 2 1/4" x 2 1/4" x (L) 64"
- (4) 3/16" Aluminum Internal Gussets

Represents
6 ft.



SIDE VIEW



Date	DWG# HED-200_BentBack	Scale:	1"=1'	Customer	Mounting	Double Bent Back Post Mount		Quote #	
XX.XX.XX					SF/DF	Single Face		Sales Rep.	
Quantity				Location	Illuminated	NO	UL	Illustrator:	
1					Voltage	N/A	Amp		
Page				System	ADA	No	Rev. 0	Reviewed By:	
1 of 1				HED-200 (24" x 36") Bent Back Sign System	*Due to the ADA/ANSI's wide interpretation and other factors that may exist, we cannot affirm compliance in all situations and is hereby removed from responsibility regarding these issues.				



• 6400 Howard Drive, Fairview PA 16415 • Toll Free 800.458.0591 •
• PA 814.833.7000 • Fax 814.838.0011 •
www.howardindustries.com

All concepts and designs represented by this drawing are the property of Howard Industries and may not be reproduced or used in any manner without written consent. ©Copyright 2020 Howard Industries.