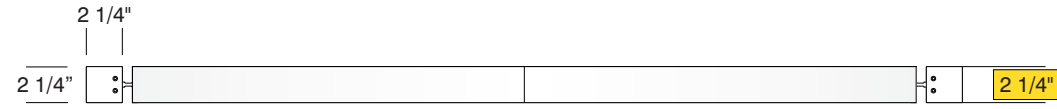
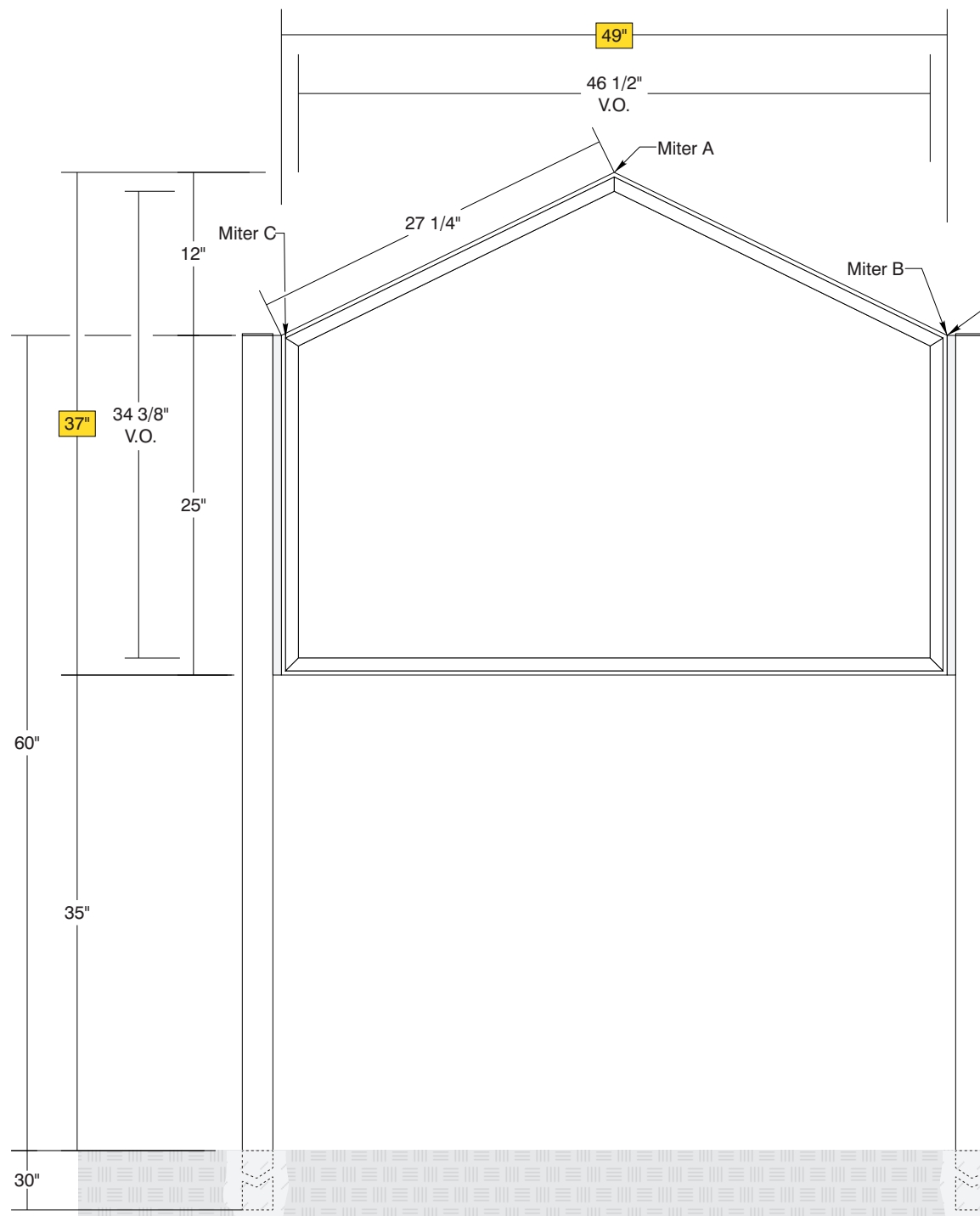


TOP VIEW



SIDE A



• Sign System: HED-150 Peak Top

- Miter A: 26.1°
- Miter B & C: 31.95°
- (1) .080" Aluminum Panel: (H) 36" x (L) 48"

• Paint:

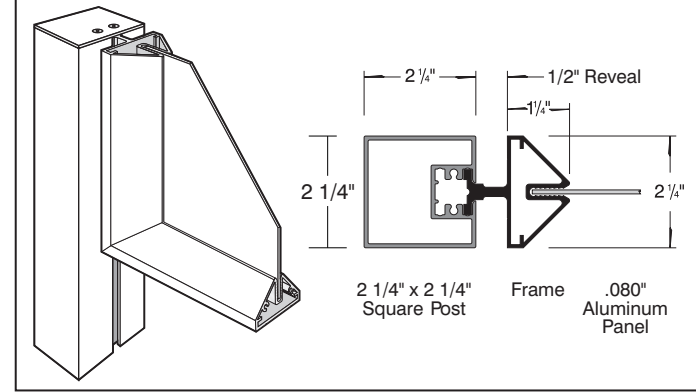
- Standard White - Frame, Panels, Posts, Caps

• Double Post Mount

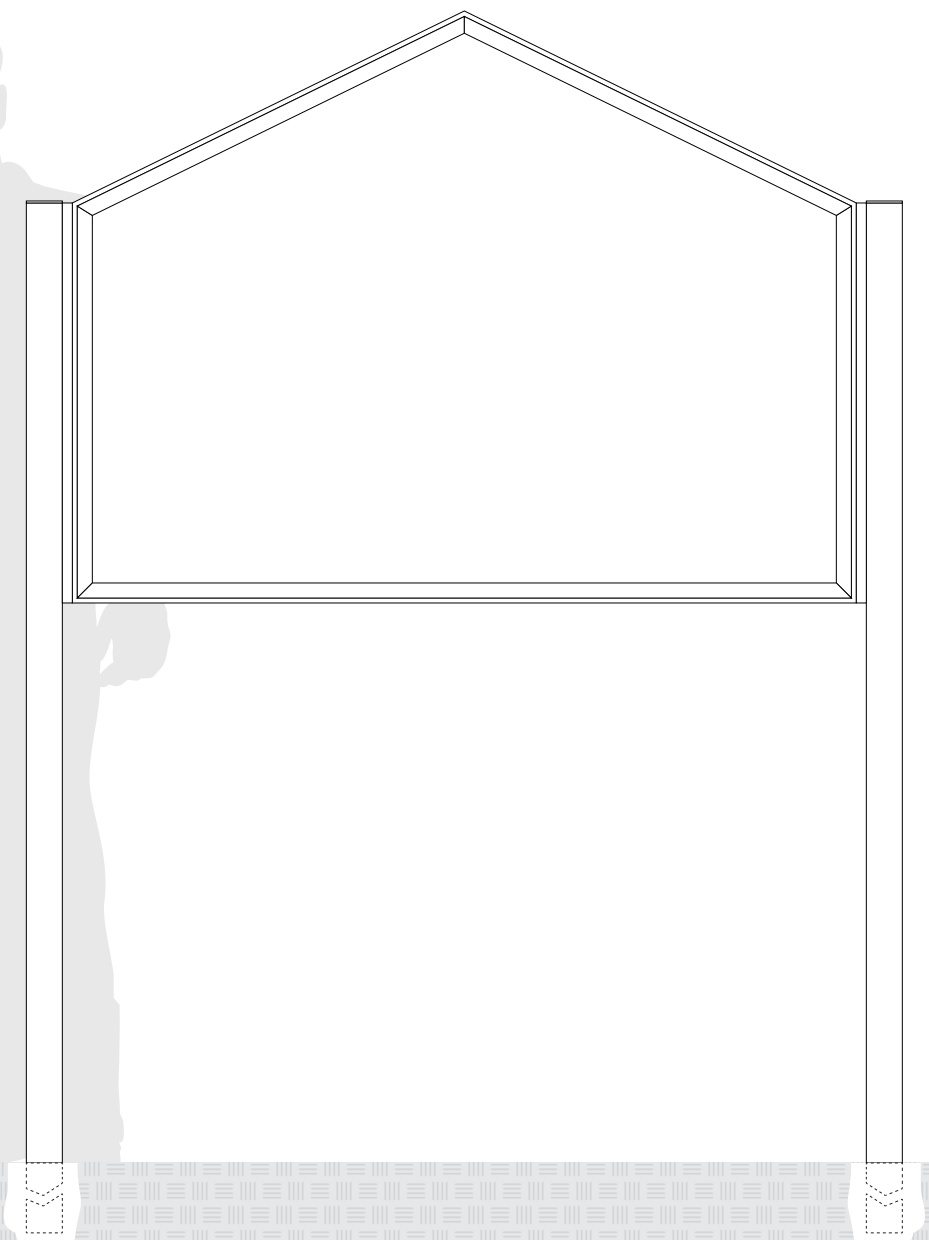
- (2) Post Size: 2 1/4" x 2 1/4" x (L) 90" with Caps

Represents
6 ft.

HED-150 Detail



SIDE B



Date	DWG# HED-150_Peak	Scale:	1"=1'	Customer	Mounting	Double Post Mount	Quote #	
2.14.23					SF/DF	Double Face	Sales Rep.	
Quantity				Location	ILLUMINATED	NO UL	Illustrator:	
1					Voltage	N/A Amp N/A	Reviewed By:	
Page				System	ADA	No Rev. 0		
1 of 1				HED-150 32" x 48" Peak Sign System	*Due to the ADA/ ANSI's wide interpretation and other factors that may exist, we cannot affirm compliance in all situations and is hereby removed from responsibility regarding these issues.			



6400 Howard Drive, Fairview PA 16415 • Toll Free 800.458.0591 • PA 814.833.7000 • Fax 814.838.0011 • www.howardindustries.com

All concepts and designs represented by this drawing are the property of Howard Industries and may not be reproduced or used in any manner without written consent. ©Copyright 2020 Howard Industries.