

**• Sign System: HED-150 Flag Mount**

- (1) .080" Aluminum Panel: (H) 24" x (L) 24"

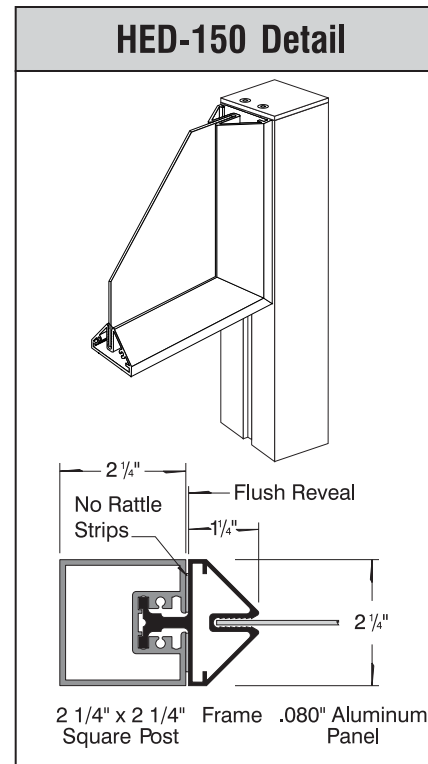
**• Paint:**

- Standard White - Frame, Panels, Posts, Caps, Shims

**• Single Post Mount**

- (1) Post Size: 2 1/4" x 2 1/4" x (L) 90" with Caps
- (2) .100" Aluminum Shims: (H) 24 7/8" x (L) 13/16"

**\*NOTE: 1 3/4" Mounting Flange Comes out the bottom to act as locking square**



Date	DWG# HED-150_FlagMount	Scale: 1"=1'	Customer	Mounting SF/DF	Single Post Mount Double Face	Quote #
XX.XX.XX			Location	ILLUMINATED NO	UL Amp N/A	Sales Rep.
Quantity			System	Voltage N/A	Rev. 0	Illustrator:
1			HED-150 (24" x 24") Flag Mount Sign System	ADA No		Reviewed By:
Page				*Due to the ADA/ ANSI's wide interpretation and other factors that may exist, we cannot affirm compliance in all situations and is hereby removed from responsibility regarding these issues.		
1 of 1						



• 6400 Howard Drive, Fairview PA 16415 • Toll Free 800.458.0591 •  
 • PA 814.833.7000 • Fax 814.838.0011 •  
 www.howardindustries.com

All concepts and designs represented by this drawing are the property of Howard Industries and may not be reproduced or used in any manner without written consent. ©Copyright 2020 Howard Industries.