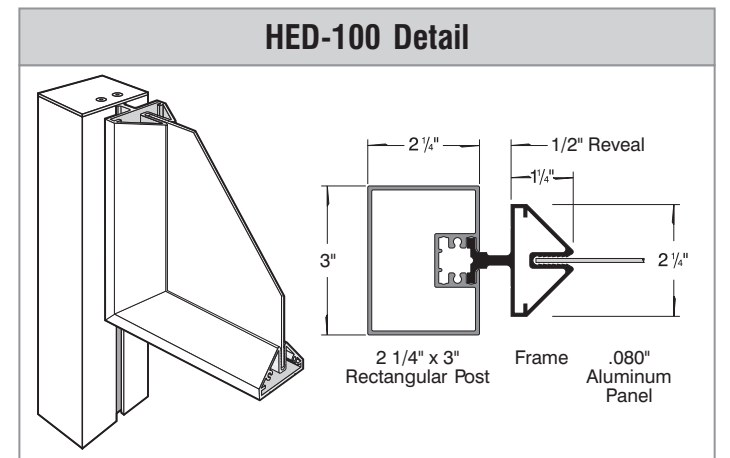


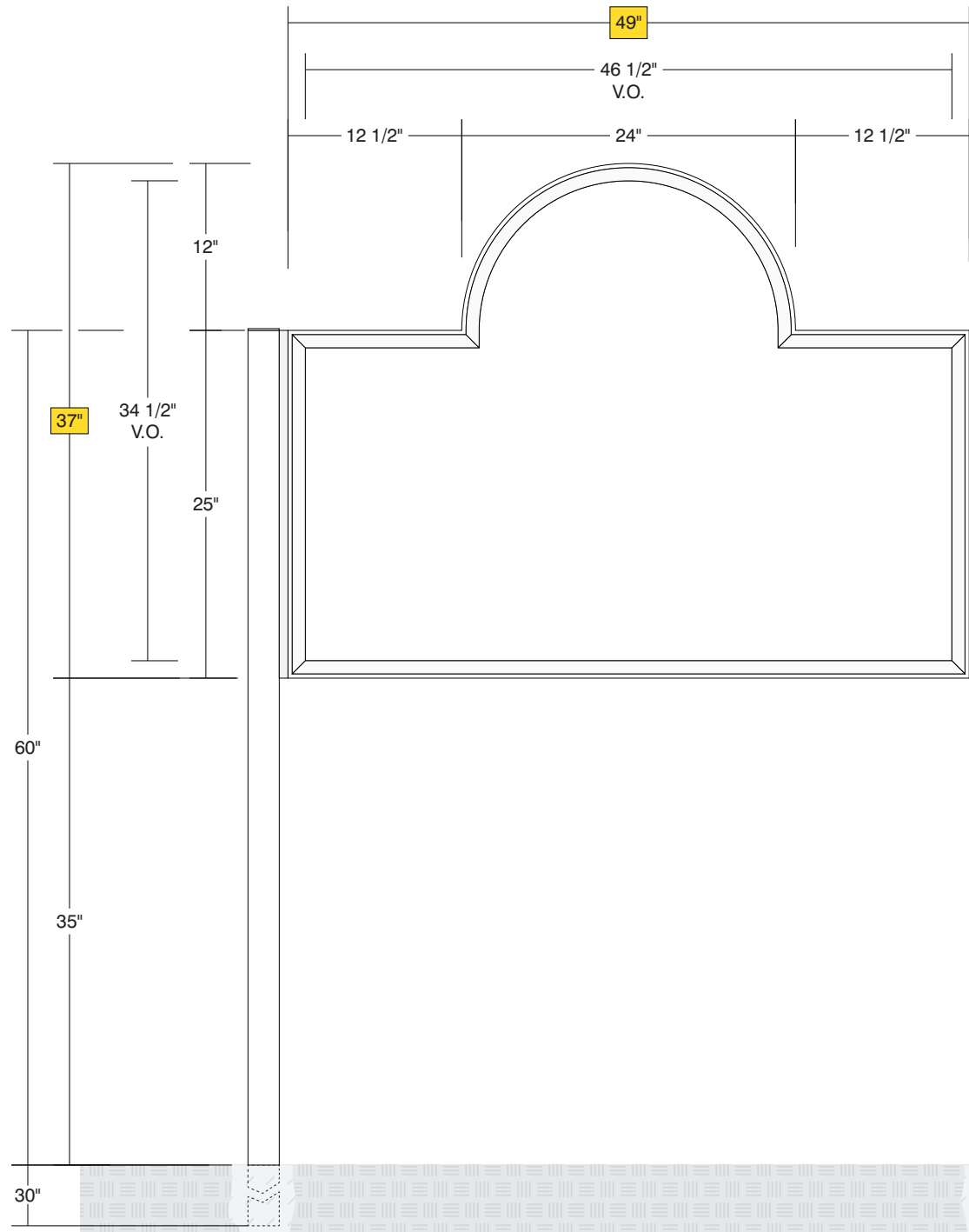


TOP VIEW



HED-100 Detail

SIDE A



• Sign System: HED-100 Indented Radius

- Arc Length: 37.7"
- Miters: 44.62°
- Radius: 12"
- (1) .080" Aluminum Panel: (H) 36" x (L) 48"

• Paint:

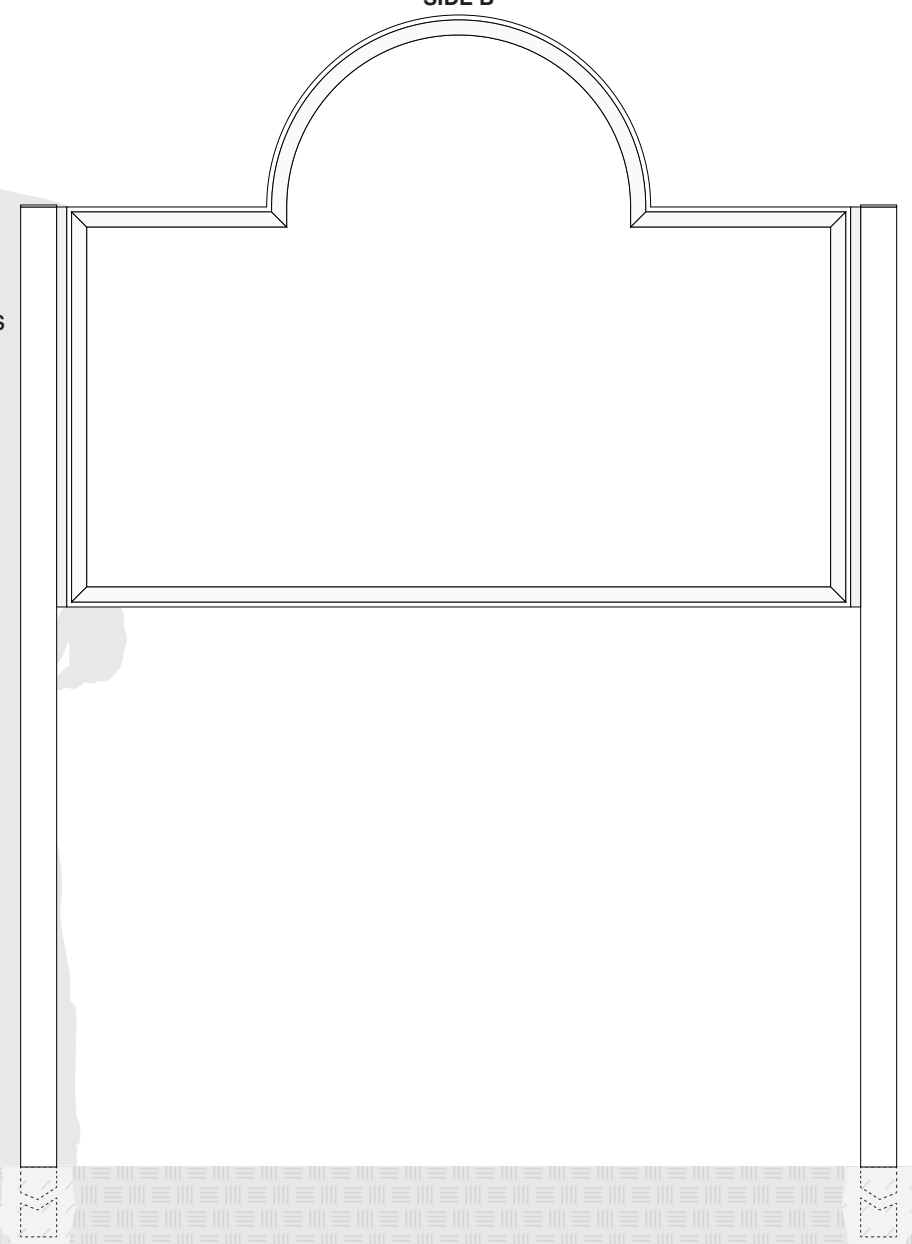
- Standard White - Frame, Panels, Posts, Caps

• Double Post Mount

- (2) Post Size: 2 1/4" x 3" x (L) 90" with Caps

Represents
6 ft.

SIDE B



Date	DWG# HED-100_IndentedRadius	Scale:	1"=1'	Customer	Mounting	Double Post Mount	Quote #	
XX.XX.XX					SF/DF	Double Face	Sales Rep.	
Quantity				Location	Illuminated	NO	UL	
1					Voltage	N/A	Amp	N/A
Page				System	ADA	No	Rev. 0	Illustrator:
1 of 1				HED-100 (36" x 48") Indented Radius Sign System	*Due to the ADA/ANSI's wide interpretation and other factors that may exist, we cannot affirm compliance in all situations and is hereby removed from responsibility regarding these issues.			Reviewed By:



• 6400 Howard Drive, Fairview PA 16415 • Toll Free 800.458.0591 •
• PA 814.833.7000 • Fax 814.838.0011 •
www.howardindustries.com

All concepts and designs represented by this drawing are the property of Howard Industries and may not be reproduced or used in any manner without written consent. ©Copyright 2020 Howard Industries.