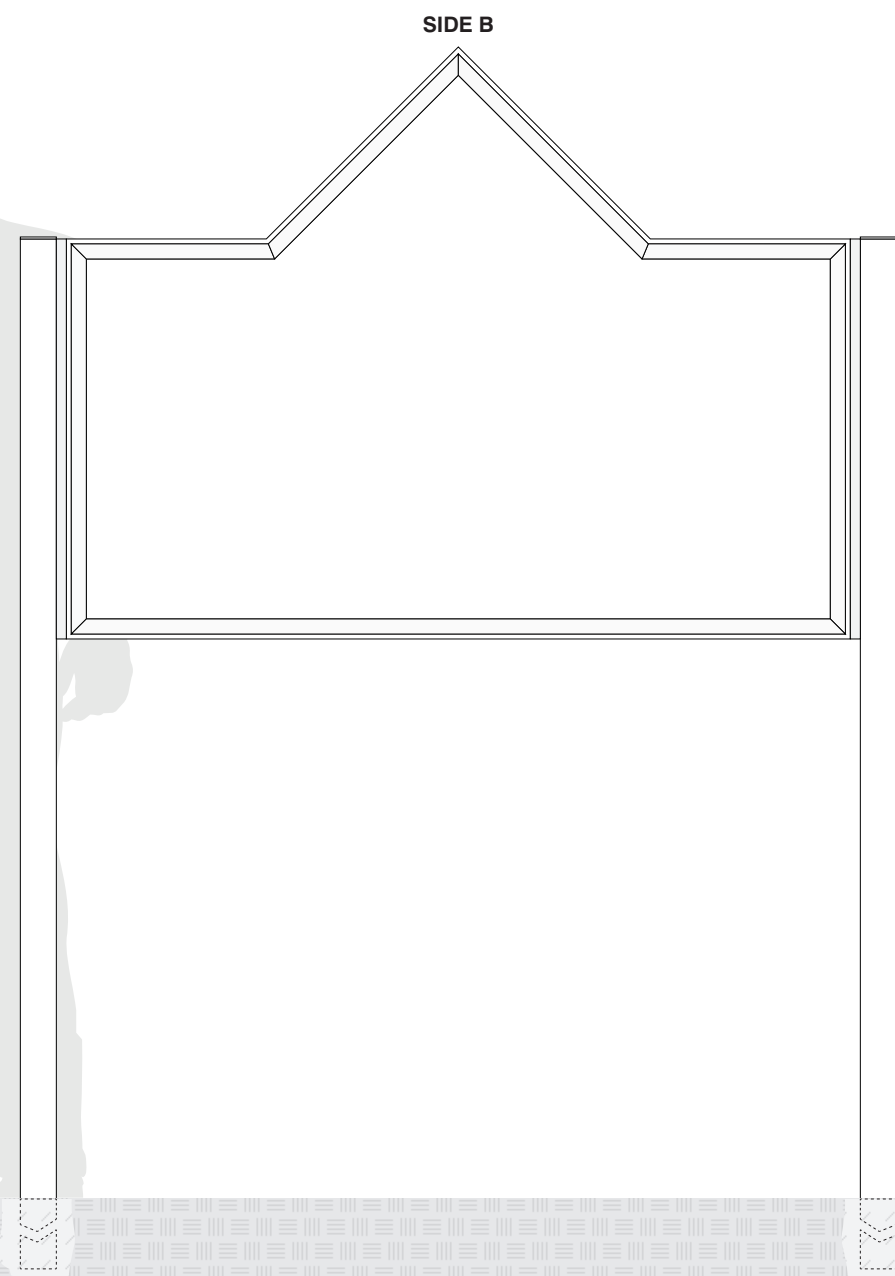
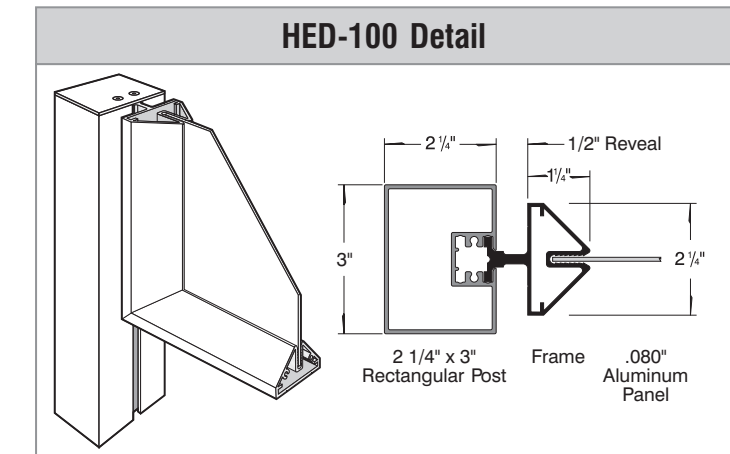


- **Sign System: HED-100 Indented Peak**
  - Miter A: 45°
  - Miter B & C: 22.49°
  - (1) .080" Aluminum Panel: (H) 36" x (L) 48"
- **Paint:**
  - Standard White - Frame, Panels, Posts, Caps
- **Double Post Mount**
  - (2) Post Size: 2 1/4" x 3" x (L) 80" with Caps



Date	DWG# HED-100_IndentedPeak	Scale:	1"=1'	Customer	Mounting	Double Post Mount		Quote #	
XX.XX.XX					SF/DF	Double Face		Sales Rep.	
Quantity				Location	Illuminated	NO	UL	Illustrator:	
1					Voltage	N/A	Amp N/A	Reviewed By:	
Page				System	ADA	No	Rev. 0		
1 of 1				<b>HED-100 (36" x 48") Indented Peak Sign System</b>	*Due to the ADA/ANSI's wide interpretation and other factors that may exist, we cannot affirm compliance in all situations and is hereby removed from responsibility regarding these issues.				



• 6400 Howard Drive, Fairview PA 16415 • Toll Free 800.458.0591 •  
 • PA 814.833.7000 • Fax 814.838.0011 •  
 www.howardindustries.com

All concepts and designs represented by this drawing are the property of Howard Industries and may not be reproduced or used in any manner without written consent. ©Copyright 2020 Howard Industries.