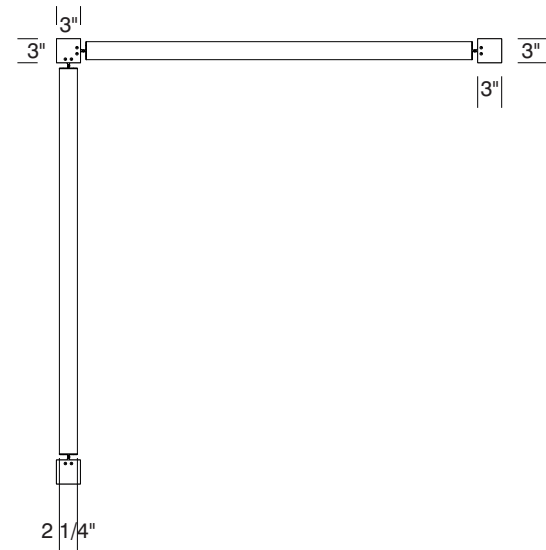
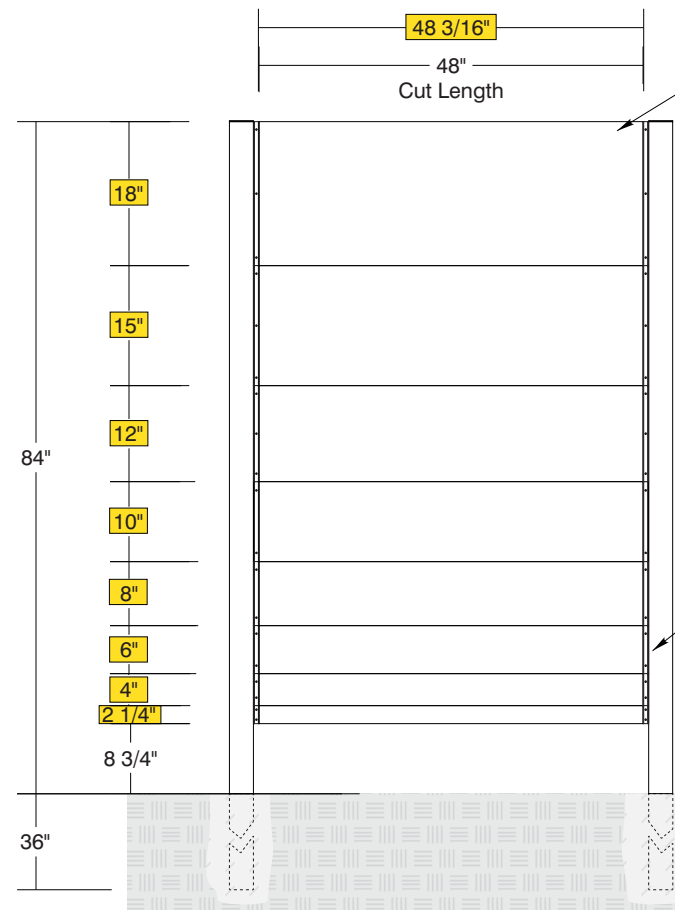


**TOP VIEW**



**SIDE A**



**• Sign System: E-Z Change Wordbars**

- (2) Wordbar: (H) 18" x (L) 48" x (D) 2 1/4"
- (2) Wordbar: (H) 15" x (L) 48" x (D) 2 1/4"
- (2) Wordbar: (H) 12" x (L) 48" x (D) 2 1/4"
- (2) Wordbar: (H) 10" x (L) 48" x (D) 2 1/4"
- (2) Wordbar: (H) 8" x (L) 48" x (D) 2 1/4"
- (2) Wordbar: (H) 6" x (L) 48" x (D) 2 1/4"
- (2) Wordbar: (H) 4" x (L) 48" x (D) 2 1/4"
- (2) Wordbar: (H) 2 1/4" x (L) 48" x (D) 2 1/4"

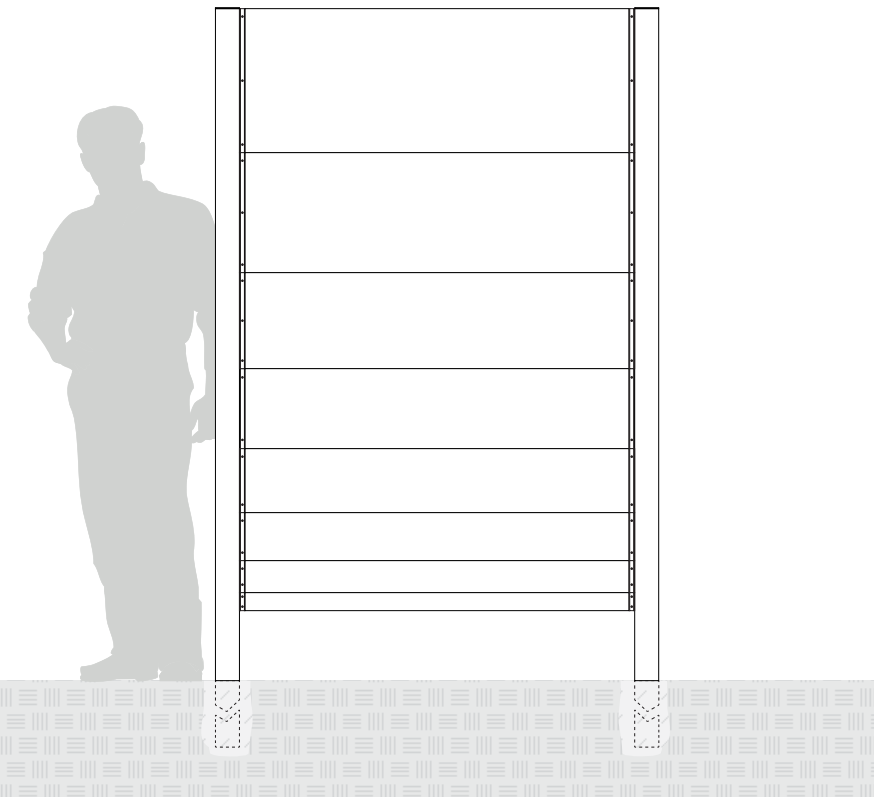
**• Paint:**

- Standard White - Wordbars, Posts, Caps

**• Double Post Mount**

- (2) Post Size: 3" x 3" (L) 120" with Caps
- (1) Corner Post Size: 3" x 3" (L) 120" with Caps

**SIDE VIEW**



Date	DWG# EZ_Change_Corner	Scale: 1/2"=1'	Customer	XXXXXXXXXX	Mounting SF/DF	Double Width Post Single Face		Quote #	XXXXXXXXXX
X.X.23			Location	XXXXXXXXXXXX	Illuminated Voltage	NO N/A	UL Amp N/A	Sales Rep.	XXXXXXXXXX
Quantity			System	E-Z Change Wordbars w/ Corner Post	ADA	No		Illustrator:	XXXXXXXXXX
1					*Due to the ADA/ANSI's wide interpretation and other factors that may exist, we cannot affirm compliance in all situations and is hereby removed from responsibility regarding these issues.				Reviewed By: XXX-XX.XX.XX
Page									
1 of 1									



• 6400 Howard Drive, Fairview PA 16415 • Toll Free 800.458.0591 •  
 • PA 814.833.7000 • Fax 814.838.0011 •  
 www.howardindustries.com

All concepts and designs represented by this drawing are the property of Howard Industries and may not be reproduced or used in any manner without written consent. ©Copyright 2020 Howard Industries.